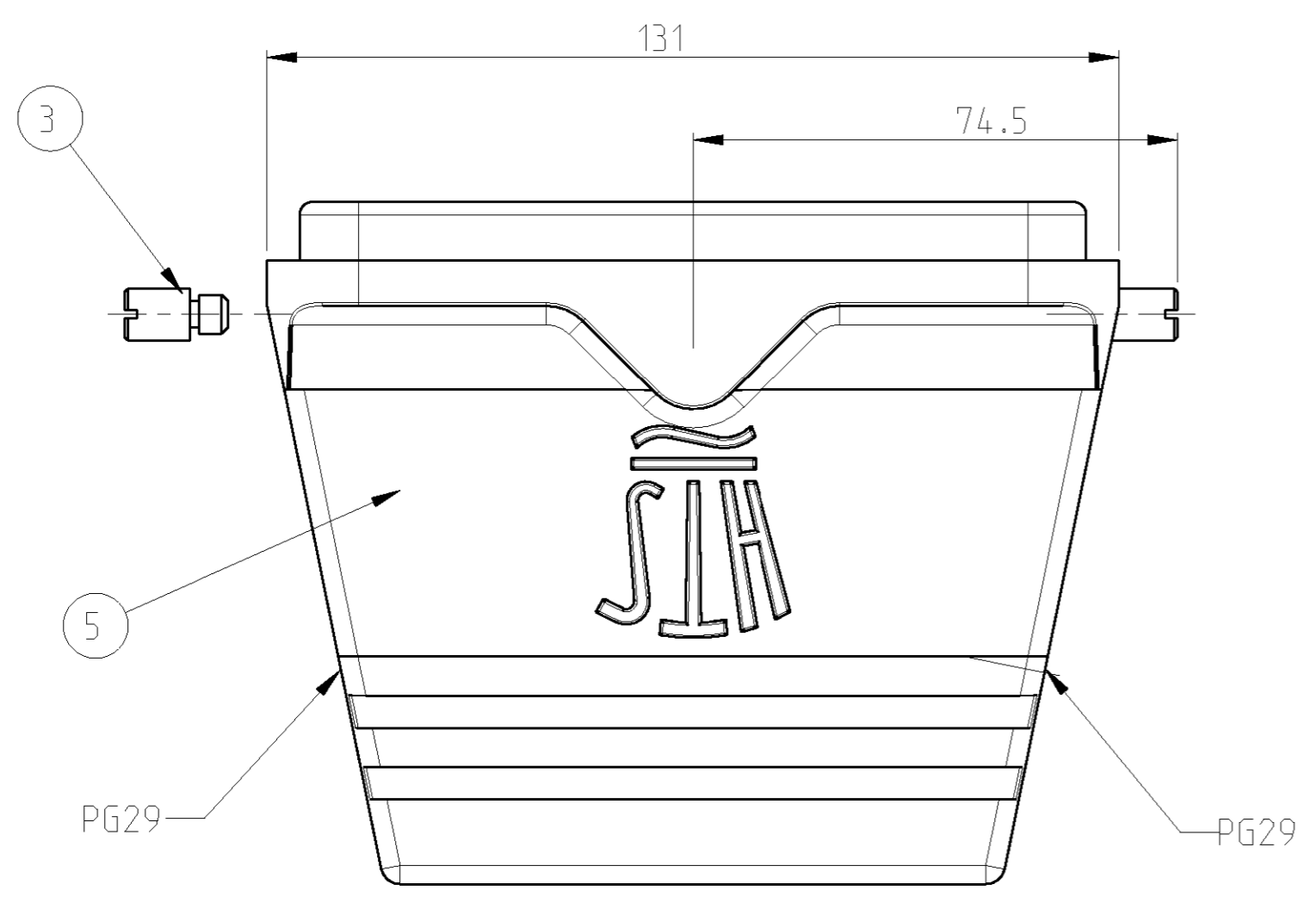
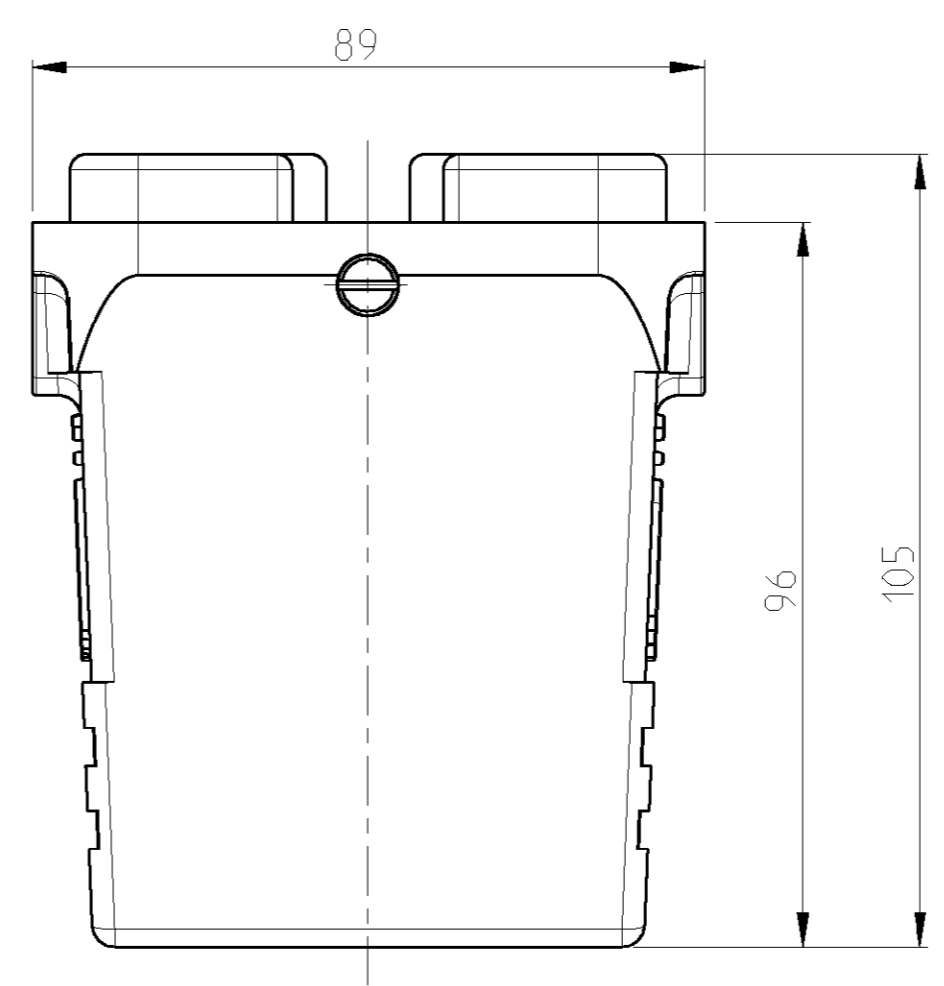
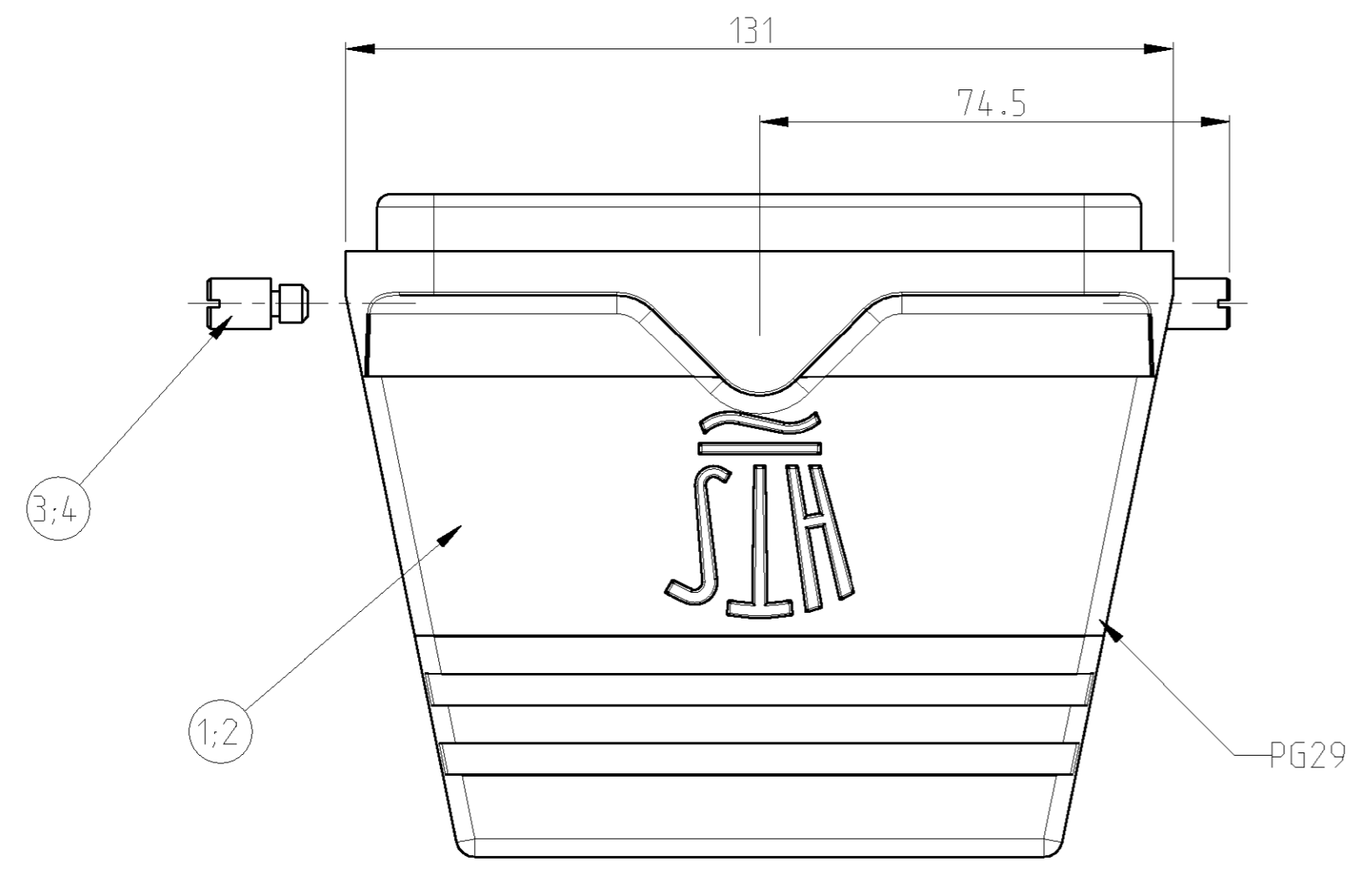


THIS DRAWING IS UNPUBLISHED. RELEASED FOR PUBLICATION 2006
 © COPYRIGHT 2006 BY TYCO ELECTRONICS CORPORATION. ALL RIGHTS RESERVED.

LOC	DIST	REVISIONS					
		P	LTR	DESCRIPTION	DATE	DWN	APVD
A1	-		A3	NEW PRO/E DRAWING ECR-07-019263	14AUG2007	SR	ST



NOTES

- 1 PART SHALL BE FREE AND CLEAN OF BURRS AND OTHER FOREIGN MATERIAL
- 2 PACKAGING: QUANTITY 3 PIECES
- 3 VARNISHING INSIDE HOUSING NOT REQUIRED

QTY	DESCRIPTION	MATERIAL	SURFACE	COLOR	ITEM	NOTES		
1	HOOD HB.48	ALUMINIUM/ALU	-	GREY	5			
2	CLIP BOLT	V2A	BLANC	-	4			
2	CLIP BOLT	STEEL	ZINK PLATED	BLUE	3			
1	HOOD HB.48	ALUMINIUM/ALU	ALUMINIUM OXID	BLACK	2			
1	HOOD HB.48	ALUMINIUM/ALU	-	GREY	1			
0-1	2-7	1-7	DESCRIPTION	MATERIAL	SURFACE	COLOR	ITEM	NOTES
HB.48.STS-GR.1.29.G								
HB-K.48.STS-GR.1.29.G								
HB.48.STS-GR.2.29.G								

<small>THIS DRAWING IS A CONTROLLED DOCUMENT FOR TYCO ELECTRONICS CORPORATION IT IS SUBJECT TO CHANGE AND THE CONTROLLING ENGINEERING ORGANIZATION SHOULD BE CONTACTED FOR THE LATEST REVISION.</small>		DWN: 14 AUG 2007 CHK: R. SCHNEIDER APVD: SCHNURPFEL	tyco Electronics	tyco Electronics AMP GmbH 53819 Neunkirchen (Germany)
DIMENSIONS: mm 		TOLERANCES UNLESS OTHERWISE SPECIFIED: 0 PLC ±- 1 PLC ±- 2 PLC ±- 3 PLC ±- 4 PLC ±- ANGLES ±1° FINISH		NAME: HOOD HB.48.STS-GR.1.29.G PRODUCT SPEC: - APPLICATION SPEC: - WEIGHT: -
MATERIAL: -		SIZE: A2 CAGE CODE: 00779 DRAWING NO: 1102373 RESTRICTED TO: -		
CUSTOMER DRAWING		SCALE: 1:1 SHEET: 1 OF 1 REV: A3		