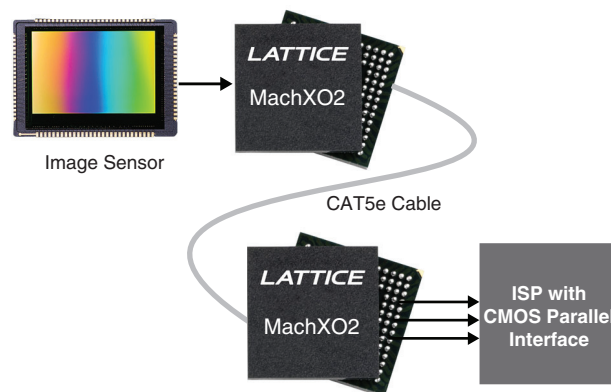


Image sensors are used in a variety of electronic products including smart phones, surveillance cameras and industrial robotics. Most of these designs have small form factors that allow the image sensor to be located near the Image Signal Processor (ISP). However, in some applications the image sensor cannot be located near the ISP. In applications such as check-out scanners, automotive aftermarket back up cameras or cameras integrated at the top of a big-screen TV, the image sensor needs to be separated from the ISP. To address this, Lattice has created the Sensor Extender reference design.

The Sensor Extender solution uses two MachXO2™ ultra-low density FPGAs. One device sits just after the image sensor and the other just before the ISP (see Figure 1).

Figure 1. Sensor Extender Functional Block Diagram



Key Features

- Allows image sensors to be distanced from the ISP via a single CAT5e/6 cable
 - MachXO2 serializes after the image sensor and de-serializes before the ISP
 - At 720p60 or 1080p30, up to eight meters. Twisted pair lengths must be well matched. See the “Cable Tester” section for further details.
- Flexible sensor interface before serial conversion
 - Can interface to CSI-2, HiSPi, parallel or sub-LVDS image sensors
 - Support for extending two or more image sensors also possible
- Interface to ISP after de-serializing can be parallel or serial
 - Parallel interface can be configured for 1.8V, 2.5V or 3.3V LVCMOS levels
- Bi-directional I²C write programming offered via the same CAT5e/6 cable
- Utilizes three data pairs up to 720p60 or 1080p30, the fourth pair on a CAT5e/6 cable can be used to power the image sensor remotely or dedicated I²C lane
- MachXO2 bridge device offered in space-saving 8x8 mm 132-ball csBGA package. TQFP packages also available
- Requires no external PROM
- Tested with numerous image sensors and the Lattice HDR-60 Base Board
 - Sensors tested include the Aptina MT9M024
- MachXO2 FPGA is available in commercial or industrial temperature grades

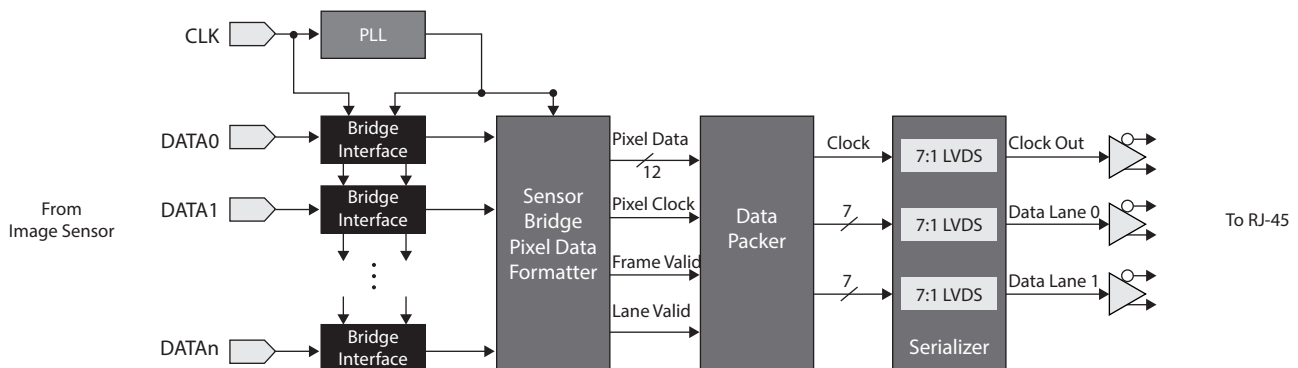
Functional Description

As previously noted, the Sensor Extender reference design consists of two devices. The MachXO2 device adjacent to the image sensor is referred to as the Tx device because it serializes the image data and transmits it across the CAT5e/6 cable. The other MachXO2 device, just before the ISP, is the Rx device; it receives image data and de-serializes it.

Sensor Extender Tx Device

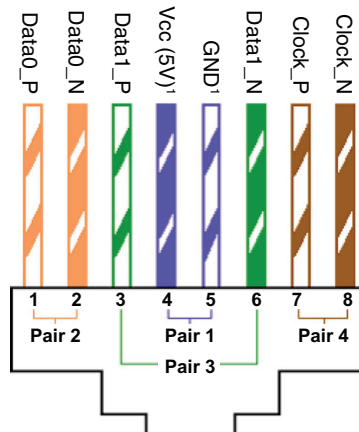
The Tx device implements two primary functions (see Figure 2). First, the Tx device interfaces to the image sensor. The MachXO2 FPGA can be reprogrammed with Lattice’s many image sensor interface reference designs to provide numerous options. Lattice offers sensor interface bridges for Aptina HiSPi, Panasonic MN34041, Sony sub-LVDS and CSI-2 image sensors, all of which can be used with the Sensor Extender. These interface bridges convert the serial interface into a parallel data bus. The Sensor Extender can also directly interface to sensors that have parallel CMOS interfaces; in this case no sensor interface bridge is needed.

Figure 2. Sensor Extender Tx Device Block Diagram



The second part of the Tx device will then accept a 12-bit pixel data bus, frame and line valid signals and the clock. This data is then converted to two 7-bit data buses before being serialized. The two buses are then serialized using 7:1 LVDS gearing primitives inside the MachXO2 fabric. 7:1 LVDS converts the 7-bit parallel bus to one DDR (Double Data Rate) LVDS pair. Various image sensor resolutions will result in different pixel image data rates. For example, 720p30 typically has a pixel clock of 37.125 MHz. The data rate is 37.125×14 (12 data + FV + LV) = 520 Mbps. For 1080p30 this runs at 74.25 MHz or a data rate of $74.25 \times 14 = 1040$ Mbps. The maximum LVDS I/O speed for the MachXO2 is 750 Mbps, so depending on the sensor resolution, one or two data lanes will be used. The 7:1 output gearing built into the MachXO2 device is used to ensure ideal clock and data transmission. The output of the Tx device includes LVDS clock and data lanes and these are driven down CAT5e/6 cabling. See Figure 3 for the cabling specific pinout.

Figure 3. RJ45 Cabling Diagram

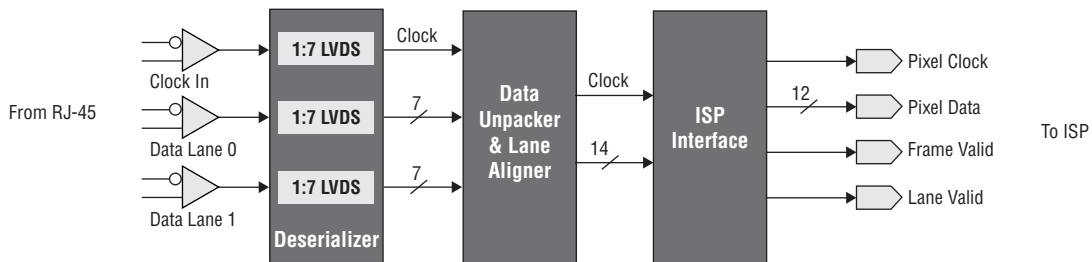


1. The Vcc/GND pair can be optionally used as a third data pair or for dedicated I²C.

Sensor Extender Rx Device

The Sensor Extender Rx device receives the serial data from the CAT5e/6 RJ45 cable and formats it so that an ISP can accept the image data (see Figure 4). The Rx device first deserializes the LVDS data. The MachXO2 device's 7:1 input gearing primitive down-converts the high-speed LVDS data. The lane aligner then translates the data back into a 12-bit parallel bus including frame valid, line valid and a clock. This format is then output to an ISP. From the ISP vantage point, the pixel data is the same as if there were a parallel sensor adjacent to the ISP.

Figure 4. Sensor Extender Rx Device Block Diagram



I²C Sensor Programming and Design Considerations

The Rx and Tx devices also incorporate functionality to support an I²C “back channel” on two of the serial data lanes. This allows for I²C commands to be sent to the sensor through the Ethernet cable and with no additional wiring. Each data and clock lane has the capability to be bidirectional. Two lanes in this case are used to transfer I²C commands to the sensor during the vertical blanking period.

The ISP sends I²C commands to the Rx device rather than to the sensor directly. These commands are then stored in the Rx device until the next vertical blanking period. When the next vertical blanking period occurs, the subLVDS lanes on the Rx and Tx devices reverse direction and transfer the I²C commands to the Tx device. The Tx device then transfers these commands to the image sensor. This mode is referred to as Muxed Bidirectional I₂C in Table 1.

In this I²C back-channel configuration, only I²C writes are supported. If a user wishes to use I²C reads and writes, it is recommended that one of the data pairs of the RJ45 be dedicated for I²C data transfers. If the user has unused data pairs (e.g. in 720p30, only two data pairs are needed), the I²C back channel does not need to be used. This will lead to a simplified design with no need for bidirectional ODDR/IDDR I/Os. If the image sensor resolution is less than 1080p60 and if local power can be supplied, then the user can dedicate an RJ45 pair for I²C. See Table 1 for

resolution options.

Table 1. RJ45 Data Lanes and Image Sensor Configurations

Image Sensor Resolution	Data Pair 1	Data Pair 2	Data Pair 3	Data Pair 4
720p30 and below	Vcc/GND or Dedicated I ² C	Image Data	Vcc/GND or Dedicated I ² C	Clock
720p60 or 1080p30	Vcc/GND or Dedicated I ² C	Image Data / Muxed Bidirectional I ² C	Image Data / Muxed Bidirectional I ² C	Clock

The Sensor Extender reference design has been tested using the HDR-60 Base Board acting as an ISP, various NanoVesta sensor boards, and the Sensor Extender Card. See Table 2 for the specific image sensor types, resolutions and cables that have been tested.

Table 2. Possible Formats Supported by the Sensor Extender Reference Design

Configuration	Sensors Boards	Cable Length
1080p30	AR0331, MN34041, IMX169	
720p30	MT9M024	
720p60	MT9M024 ¹	Tested up to 8 meters
Dual sensor (720x2560)	2 x MT9M024	
VGA (640x480)		

1. The MT9M024 nanovesta board configured for 720p60 is the default program in the SEC before it is shipped.

Reference Design Package

The Sensor Extender reference design package is available free of charge. The package contains everything you need to get started.

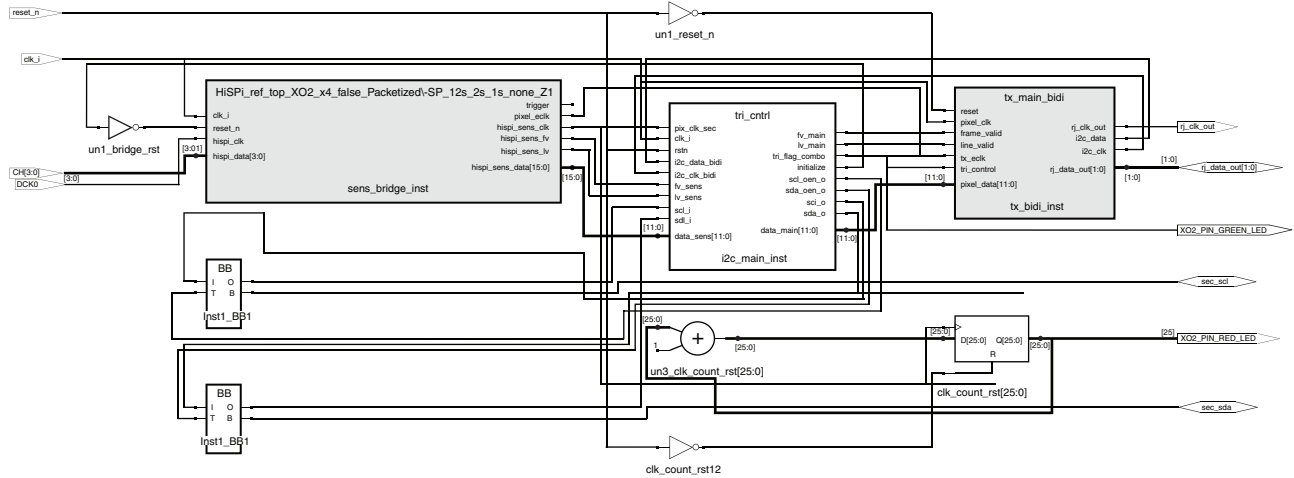
- **/bitstream/***– Design bitstreams whose pinout matches Table 5 and Table 6
- **/doc/***– This Sensor Extender reference design document (RD1148)
- **/RX***– Lattice Diamond® 2.0 RX project targeted to a MachXO2-4000HE device, 132-ball csBGA package
- **/TX***– Lattice Diamond® 2.0 TX project targeted to a MachXO2-4000HE device, 132-ball csBGA package
- **/source/***– Top-level design module and NGO black box modules
- **/CableTester/***– Reference Design used to generate CableTester bitstream
- **/sim/***– Aldec Active-HDL simulation environment files, test bench and simulation wizard script

Top-Level Tx Module

Top-level and primary TX design modules.

- **TX_top.v** - Top level module for TX design
- **HiSPi_ref_top.v** – Aptina HiSPi to Parallel Sensor Bridge from RD1120, [HiSPi-to-Parallel Sensor Bridge](#)
- **tri_cntrl.v** – Appends synchronization codes. translates I²C commands from backchannel.
- **tx_main_bidi.v** – Contains all the 7:1 gearing with bi-directional modifications

Figure 5. Top-level RTL Block Diagram



The HiSPi_ref_top.v module from RD1120, [HiSPi-to-Parallel Sensor Bridge](#) configured for the Aptina MT9M024. Its parameters are adjusted to work in 12-bit, 2-lane, Packetized-SP, single sensor mode. This module will convert the incoming serial sub-LVDS data into 12-bit parallel data along with frame_valid, lane_valid signals and a pixel clock.

The parallel bus output of the HiSpi bridge connects to tri_ctrl.v. This module appends synchronizations codes to the beginning and end of each frame and line. It also drives the tristate control signal, which determines whether to transmit video from the 7:1 gearbox or receive I²C data over through the RJ-45 connector. In addition, I²C signals from this module provide the I²C data received from the I²C backchannel to the sensor.

The parallel data with synchronization codes and I²C backchannel signals from tri_ctrl.v interface to tx_main_bidi.v. This module provides 7:1 gearing on MachXO2 ODDR modules. 12-bit data is divided into two pairs of six bits each. Finally, the data is transferred over two LVDS buffers along with a source synchronous clock on the third LVDS buffer of the receiver side.

Note: The ODDR modules should not be regenerated and incorporated into a design without making proper changes for bi-directional usage. Lattice 7:1 ODDR/IDDR are not inherently bi-directional.

Table 3. Top-Level Design I/O for Tx Design

Signal	Direction	Description
reset_n	Input	Design reset
DCK0	Input	Serial input clock
clk_i	Input	27 MHz for I ² C
CH[3:0]	Input	Serial data input (selectable)
rj_clk_out	Output	7:1 LVDS clock output
rj_data_out[1:0]	Output	7:1 LVDS data output
sec_sda	Inout	I ² C data
sec_scl	Inout	I ² C clock
XO2_PIN_RED_LED	Status LED	Heartbeat (pixel clock)
XO2_PIN_GREEN_LED	Status LED	Status of tristate control

Table 4. Top Level Design I/O for Rx Design

Signal	Direction	Description
reset_n	Input	Design reset
rj_clk_in	Input	7:1 LVDS clock input
rj_data_in[1:0]	Input	7:1 LVDS data input
pix_clk2base	Output	Pixel clock from sensor
fv	Output	Frame valid from sensor
lv	Output	Line valid from sensor
data[11:0]	Output	Pixel data from sensor
rstn_out	Output	Reset for the HDR-60 Base Board
scl_isp	Inout	I ² C clock from the I ² C master ISP
sda_isp	Inout	I ² C data from the I ² C master ISP
XO2_PIN_RED_LED,	Status LED	Counter based on active frame valid indicator
XO2_PIN_GREEN_LED	Status LED	Indicates PLL from receive clock is locked

Design Considerations

Bidirectional LVDS I/O

This design uses 7:1 gearing modes to transmit and receive the sensor data across the Tx and Rx boards. These modules are generated by IPexpress™ as standard 7:1 ODDR and IDDR modules. Currently, these modules can either be generated in input or output modes. The generated modules are then manually modified to accommodate the bidirectional capability for back-channel data transfers.

Bidirectional LVDS or BLVDS is only supported with an external resistor network outside of the MachXO2 device. When designing a board, it is recommended that this external resistor network is placed as close to the MachXO2 pins as possible. Designers can copy the termination scheme used on the schematics for the Sensor Extender card. This design has been tested with up to ten meters of cabling. However, to achieve such length, the each of the cables pairs must be matched very close to each other. We recommend using the cable tester to determine if the cabling is designed well enough to work with the Sensor Extender design.

Sensor Configuration

The SEC Rx and Tx boards on power up default to an I²C program mode to initialize the image sensor. This means that at power up the Rx SEC (the device close to the ISP) transmits I²C data to the Tx SEC. The Tx SEC then I²C programs the image sensor. This continues until the ISP sends a 32-bit I²C command of 0x55555555. After receiving this command, the TX and RX devices will start transmitting image data (instead of receiving I²C data). Once the TX device starts sending image data, I²C commands are sent during the vertical blanking period. The initialization mode can be reentered or exited at any time by issuing a command of 0x44444444 or 0x55555555 respectively. This is desirable in situations such as the TX device being disconnected and allows the user to issue a string of I²C commands without waiting for the blanking period of the video stream.

Design Demonstration

The Sensor Extender Reference Design can be directly demonstrated on the Sensor Extender Development Kit as shown in Figure 11. The kit is comprised of an HDR-60 Kit (HDR-60 Baseboard and MT9M024 NanoVesta Sensor Board) and a Sensor Extender Card Kit (includes two Sensor Extender Cards). It is critical to set up the HDR-60 with the Sensor Extender Rx card plugged in exactly as shown. The Sensor Extender Tx card with the MT9M024 NanoVesta must also be connected as shown.

See Figure 11 or the QS018, [MachXO2 SensorExtender Card Set Quick Start Guide](#) to ensure that the boards are properly connected.

Preloaded Design Demonstration

If you have just purchased the Sensor Extender Card Kit, the Sensor Extender Cards will have RX and TX labels and are preloaded with design bitstreams in the MachXO2 for each device. The HDR-60 Kit will need to be programmed with the appropriate bitstream to view video through the development set. To do this, load the bitstream located at the following location with the instructions included in the QS018, [MachXO2 SensorExtender Card Set Quick Start Guide](#).

[*\bitstream\SensorExtender_QuickStart_Bitstream\SEC_demo_ECP3.bit](#)

Please note that the bitstreams preloaded with the Sensor Extender Card Kit do not contain the I²C backchannel and perform a onetime initialization of the sensor at startup. One can view the I²C backchannel capability with the reference design demonstration bitstreams described in the next section.

Reference Design Demonstration

The Sensor Extender reference design can be demonstrated with the pre-generated bitstreams located at the following location.

[*\bitstream\SensorExtender_ReferenceDesign_Bitstreams*](#)

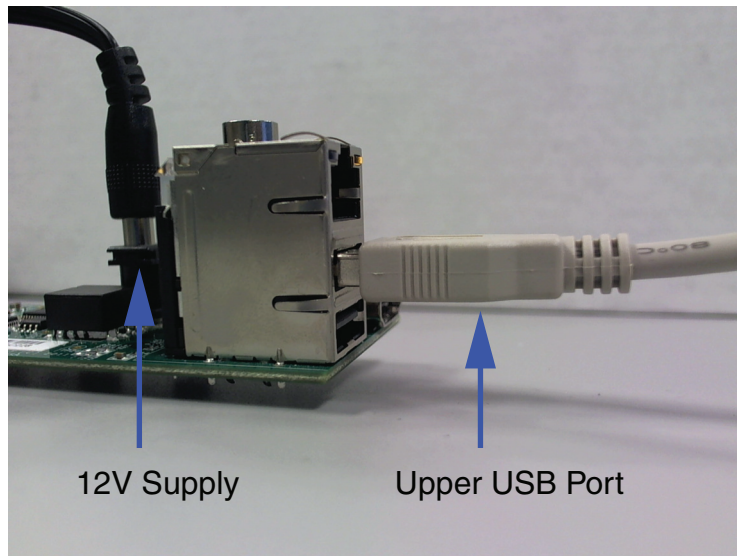
This folder contains three bitstreams for each Lattice Device.

- SensorExtender_ECP3_HelionISP_*.bit – LatticeECP3 bitstream for HDR-60 Kit
- SensorExtender_XO2_RX_*.jed – MachXO2 bitstream for RX Sensor Extender Card
- SensorExtender_XO2_TX_*.jed – MachXO2 bitstream for TX Sensor Extender Card

Bitstreams can be programmed using Lattice Diamond Programmer, available at the downloads page of the [Lattice website](#). Once the software is installed, each bitstream can be loaded with the following procedures.

HDR-60 Programming:

1. Plug one end of the USB cable to the computer and the other to the upper USB port on the HDR-60. Plug in the 12V supply to the HDR-60 Board.

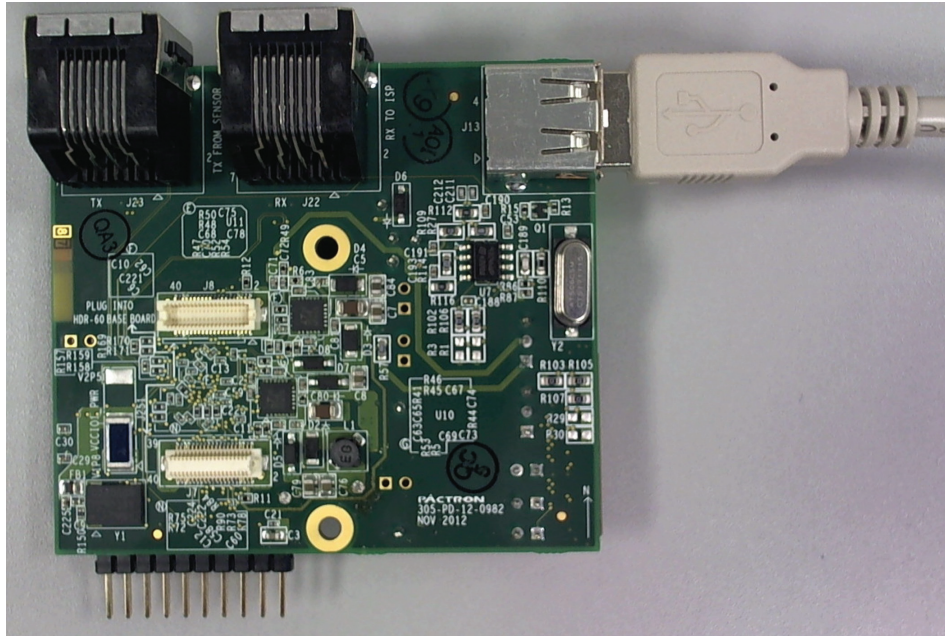


2. Use Lattice Diamond Programmer software to program the SPI Flash device on the HDR-60 base board, which in turn will program the ECP3 FPGA.
 - a. Click the **Detect Cable** button. Cable should show USB2 after detection.
 - b. Click **Design > Scan**.
 - c. Under **Device**, select **LFE3-70EA**.
 - d. With the scanned device selected, click **Edit > Device Properties**.
 - e. Fill out the Device Properties window with the following information. Program the LatticeECP3 FPGA with the SensorExtender_ECP3_HelionISP_*.bit.

Access Mode: SPI Flash Background Programming
Operation: SPI Flash Erase, Program, Verify
Programming File: Choose SensorExtender_ECP3_HelionISP_*.bit programming file
Family: SPI Serial Flash
Vendor: STMicro
Device: SPI-M25P64
Package: 16-lead SOIC
Data File Size: Click "Load Size from Programming File" button
 - f. Click **OK** to close the Device Properties window.
 - g. Click **Design > Program**, to program the SPI Flash.
3. Remove 12V Supply from HDR-60 Board. The ECP3 will load the bitstream in SPI Flash next time it is powered.

HDR-60 Programming:

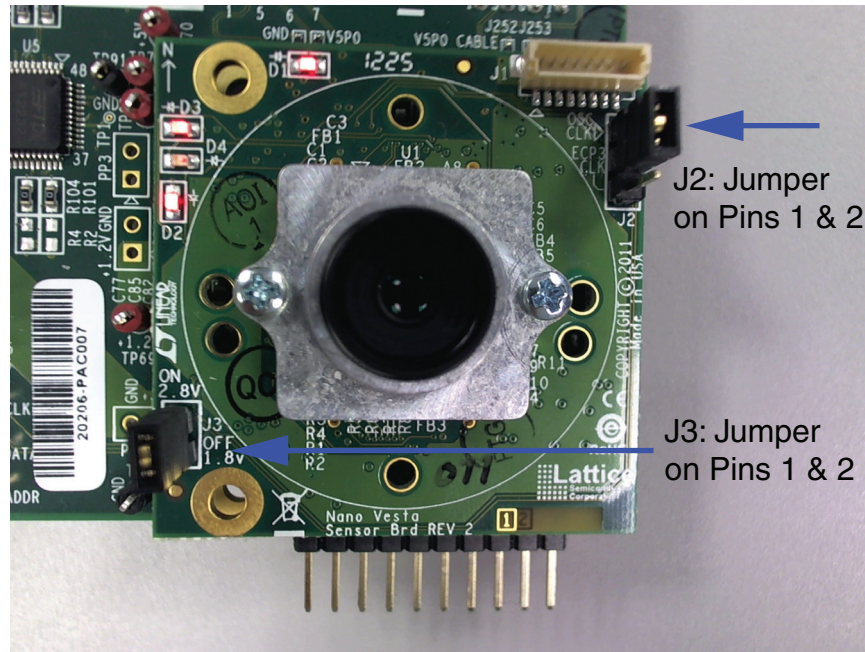
1. The RX and TX Sensor Extender Cards can be programmed in the same way with the exception of choosing the SensorExtender_XO2_RX_*.jed or SensorExtender_XO2_TX_*.jed bitstream respectively. Plug one end of the USB cable to the computer and the other to the USB port on the Sensor Extender Card. The board will be powered by the USB Cable.



2. Use Lattice Diamond Programmer software to program the internal flash on the MachXO2 device.
 - a. Click the **Detect Cable** button. Cable should show USB2 after detection.
 - b. Click **Design > Scan**.
 - c. Under **Device**, select **LCMXO2-4000HE**.
 - d. With the scanned device selected, click **Edit > Device Properties**.
 - e. Fill out the Device Properties window with the following information. Program the MachXO2 FPGA with the SensorExtender_XO2_RX_*.jed for the RX card or the SensorExtender_XO2_TX_*.jed for the TX card.

Access Mode: Flash Programming Mode
Operation: Flash Erase, Program, Verify
Programming File: Choose SensorExtender_XO2_RX_*.jed or SensorExtender_XO2_TX_*.jed programming file.
 - f. Click **OK** to close the Device Properties window.
 - g. Click **Design > Program**, to program the SPI Flash.

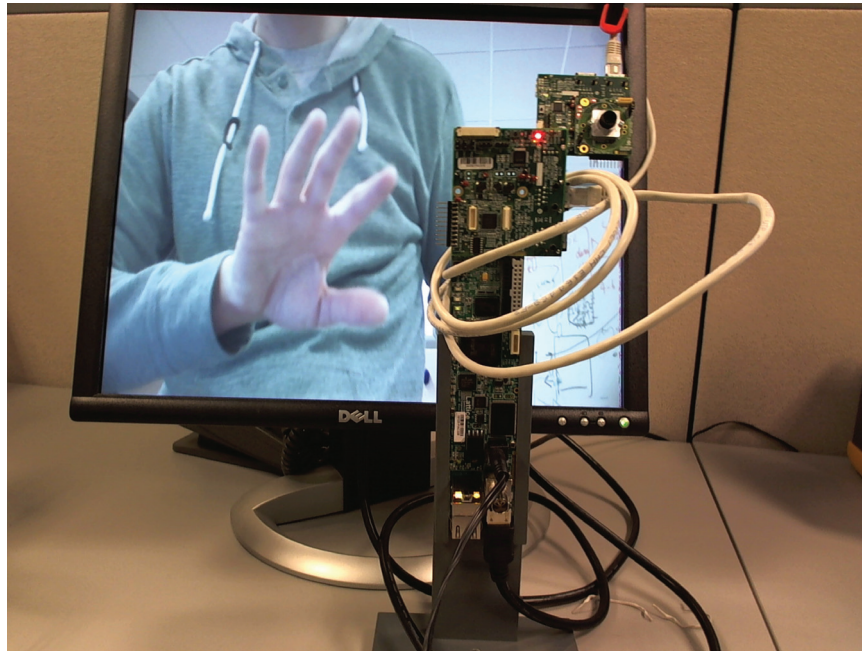
Once each board is programmed, connect the boards together as seen in Figure 9. The RX board could connect to the HDR-60 board via white Hirose connectors with the RJ-45 connectors facing down. The MT9M024 NanoVesta Sensor Board should connect to the TX board via Hirose connectors on the side opposite of the RJ-45 connectors. The TX and RX boards should connect together with Cat5e Ethernet cable using the J23 RJ-45 connector labeled “TX” on the TX board and the J22 connector labeled “RX” on the RX board. The MT9M024 Nanovesta Sensor Board should have the J3 jumper populated and the J1 jumper populated across pins 1 & 2.



Next, connect an HDMI cable from the HDR-60 board to a 720p60 compatible HDMI monitor. Ensure the USB Cable is removed from all USB ports. Power the boards by connecting the 12V supply to the HDR-60. Multiple red LEDs will light on the MT9M024 NanoVesta Sensor Board. The green LED (LED1) on the TX board will light initially for about ten seconds.

After ten seconds the green LED will dim, and the red LED (LED2) will flash on and off slowly on the TX card. The green and red LEDs on the RX card will both flash on and off. You should now be able to view the image on your monitor or TV.

To view the I²C backchannel capability press and hold the pushbutton (SW10) on the HDR-60 board. You will see the video switch between a colorbar and the sensor image. Pressing this button issues an interrupt to the embedded ISP (image signal processor) in the LatticeECP3. When the ISP sees this interrupt it issues an I²C write to sensor address 0x3070 which is the test mode register for the Aptina MT9M024 image sensor. This I²C write command goes to the RX device where it is stored until the next vertical blanking period. When the blanking period is seen it is transmitted from the RX board to the TX board through the Ethernet cable. The TX board then issues the I²C command to the image sensor.



There are also push buttons on the Sensor Extender cards. The push button on the RX board can be used to reset the RX design in the MachXO2 as well as the ISP (Image Signal Processor) design in the LatticeECP3. The push button on the TX board can be used to reset the TX design.

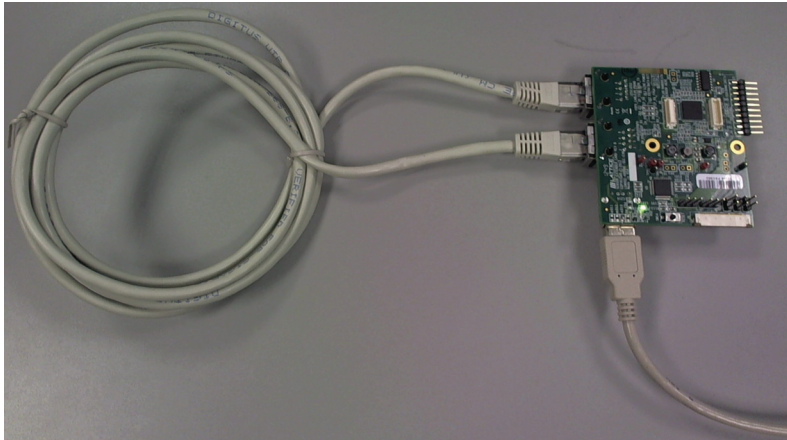
HDR-60 Push Button SW1	Issues I ² C command to place sensor in and out of "test mode"
RX Sensor Extender Push Button SW14	Issues reset command to RX and ISP designs
TX Sensor Extender Push Button SW14	Issues reset command to TX design

Cable Tester

Also included in this reference design package is a cable tester which allows you to test the Ethernet cable as well as the RJ-45 connectors on any Sensor Extender Board. Passing the test provides knowledge that the cable and ports are good and should work with the Sensor Extender reference design. Failure most often is a result of improperly terminated cables, or wire pairs within the cable being grossly unmatched. It is important that customers who want to use cables longer than five feet have the wire pairs as closely matched as possible.

A pre-synthesized bitstream is provided. To use the Cable Tester design, perform the following steps.

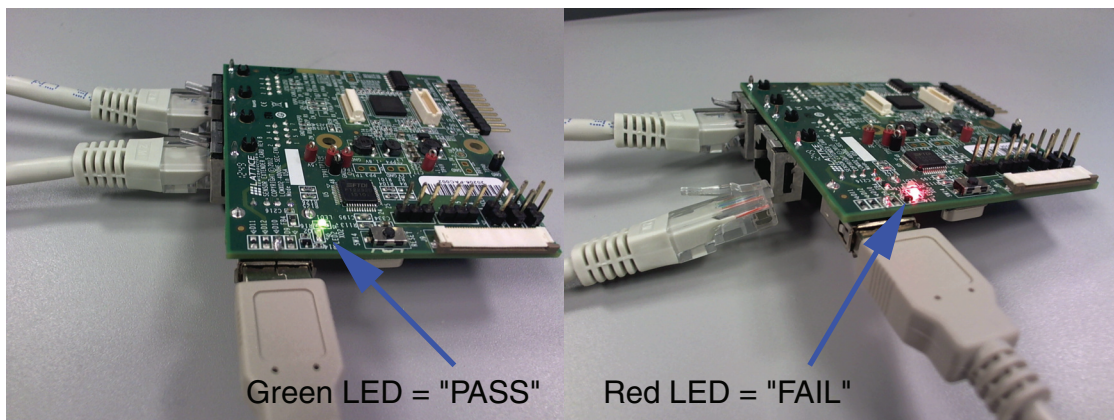
1. Take one Sensor Extender card. Plug one Ethernet cable between the RX and TX port.



2. Plug in a USB cable between the computer and the Sensor Extender card.
3. Program the device with the Pre-synthesized Cable_Tester_*.jed bitstream. For instructions on how to program the device, follow the instructions provided in the "Sensor Extender Card Programming" section.

\bitstream\SensorExtender_CableTester_Bitstream\Cable_Tester_.jed

4. After programming, one of the LEDs will light. The green LED indicates a good cable, while the red LED indicates a bad cable. The test can be reset at any time by pressing the SW14 push button.



Hardware and Design Validation

The Sensor Extender reference design was validated using the Sensor Extender Development Set. The Design was tested with various cables from 5 feet to 25 feet in length. The cables were first tested using the Cable Tester bitstream to validate major integrity issues their performance. However, please note that the Cable Tester bitstream may not catch all cable inconsistencies. Next, the cables were tested with the full Sensor Extender Development Set.

Eye Diagrams were measured on the data lanes to ensure signal reliability. Most commonly if cables failed it was due to phase shifting between the cable pairs rather than signal degradation. This became more apparent as the cable got longer. Testing concluded reliable performance on cables five to ten feet in length, but could go further in the cases of higher quality cabling.

Figure 7. Eye Diagram at ~5 Feet

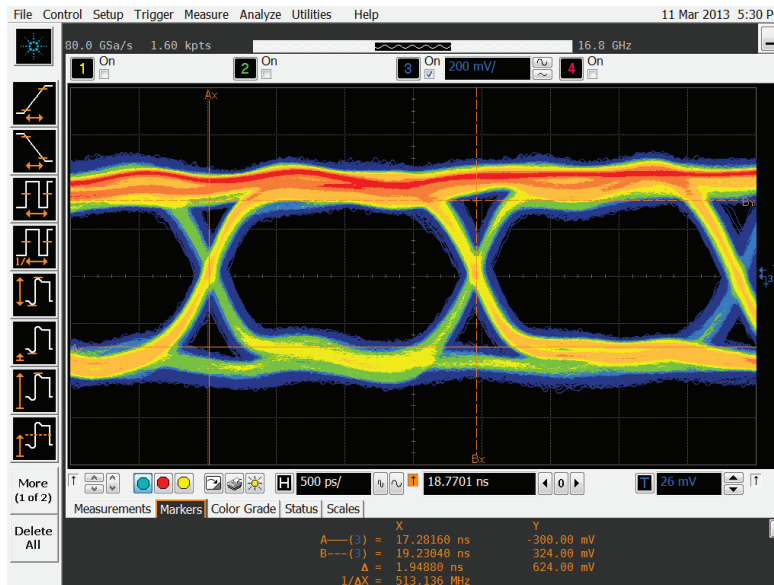


Figure 8. Eye Diagram at ~10 Feet

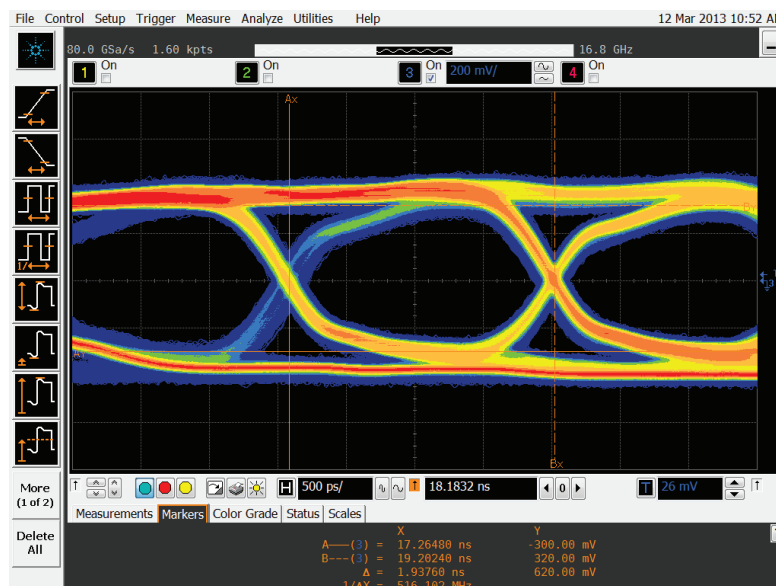
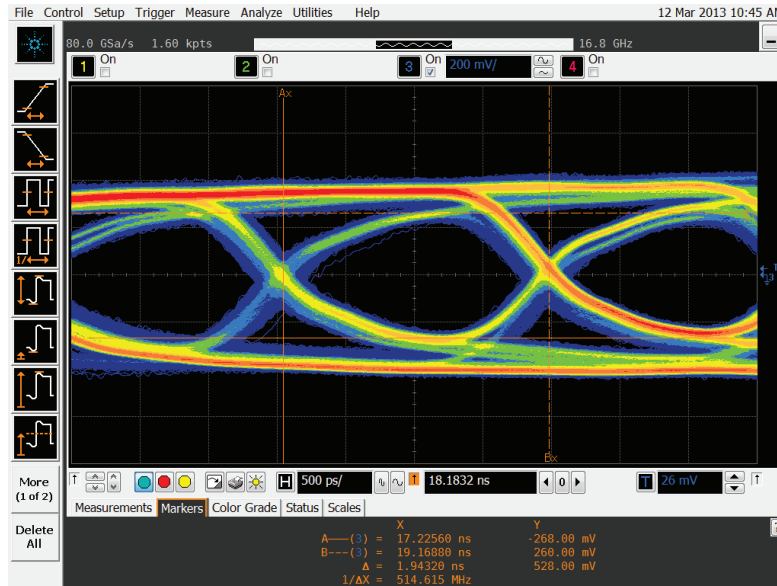


Figure 9. Eye Diagram at ~25 Feet



Simulation

The included test bench validates the Tx as well as Rx design with the sensor configured in 12-bit 2-lane mode. The test bench instantiates the Tx and Rx designs. The parallel pixel data, lane valid, frame valid and pixel clock can be seen through the waveform. The easiest way to run the simulation is through Lattice Diamond and the pre-configured script (TX_SIM.spf) provided in the *.Icf project. To do this, double-click on the script file under Script Files in the File List. Then click **Finish** in the Simulation Wizard. This will open the Aldec Active-HDL simulator. Recompile the design, initialize the simulation, choose the signals you wish to view and run the simulation and move them to the waveform viewer. Follow the instructions for running a basic simulation in the simulator help if you are unfamiliar with the Active-HDL simulation environment.

Figure 10. Simulation of Tx Serial and Rx SEC Parallel Output

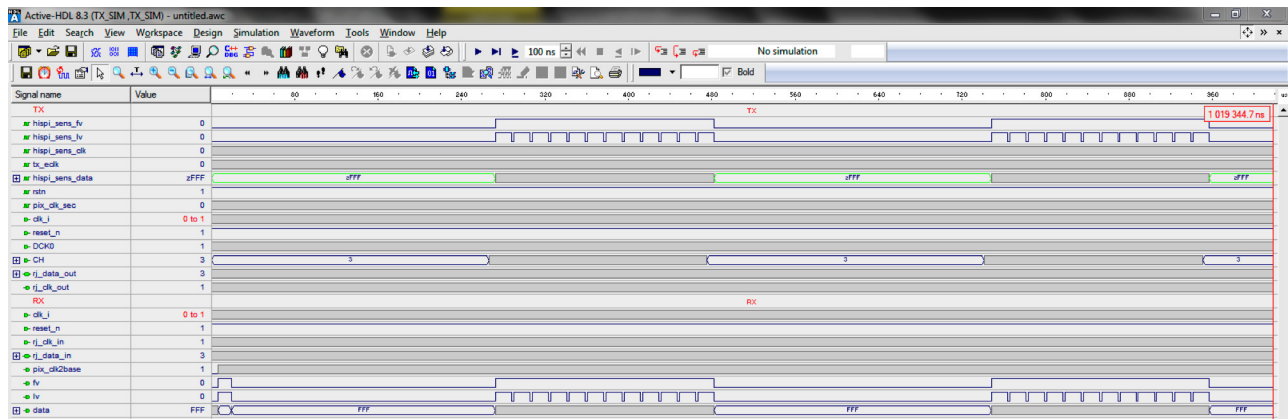


Table 5. Recommended Tx Reference Design Device Pinout

Signal	MachXO2 132-Ball csBGA
reset_n	B1
rj_clk_in_p	M7
rj_clk_in_n	N8
DCK_p	N6
DCK_n	P6
CH0_p	M11
CH0_n	P12
CH1_p	P8
CH1_n	M8
CH2_p	P2
CH2_n	N2
CH3_p	P7
CH3_n	N7
rj_clk_out_p	A7
rj_clk_out_n	B7
rj_data_out_0_p	B5
rj_data_out_0_n	C6
rj_data_out_1_p	A2
rj_data_out_1_n	B3
rj_data_out_2_p	A10
rj_data_out_2_n	C11
sec_sda	K13
sec_scl	K14
XO2_PIN_RED_LED	N13
XO2_PIN_GREEN_LED	N14

Table 6. Recommended Rx Reference Design Device Pinout

Signal	MachXO2 132-Ball csBGA
reset_n	B1
rj_clk_in_p	M7
rj_clk_in_n	N8
rj_data_in_0_p	P3
rj_data_in_0_n	M3
rj_data_in_1_p	M10
rj_data_in_1_n	P11
rj_data_in_2_p	N5
rj_data_in_2_n	M5
pix_clk2base	B14
fv	C13
lv	C14
data_0	D12
data_1	E12
data_2	E14
data_3	E13
data_4	F12
data_5	F13
data_6	F14
data_7	G12
data_8	G14
data_9	G13
data_10	H12
data_11	J12
rstn_out	J14
scl_isp	K1
sda_isp	M1
XO2_PIN_RED_LED	N13
XO2_PIN_GREEN_LED	N14

Design Utilization and Timing

Table 7. Design Performance (Pixel Clock)

Configuration and Data Lanes	Speed Grade -4 ¹		Speed Grade -5 ¹		Speed Grade -6		Units
	Tx	Rx	Tx	Rx	Tx	Rx	
2	112	100	127	116	132	126	MHz

1. See Table 11 for speed grade selection. It is critical to choose a speed grade that will support the timing required for the desired resolution; e.g. 720p60 requires a -6 speed grade.

Table 8. I/O Timing Analysis of Sensor Serial Data Lanes: Tx

Input	Speed Grade -4		Speed Grade -5		Speed Grade -6		Units
	Setup	Hold	Setup	Hold	Setup	Hold	
Sensor	0.248	0.292	0.246	0.223	0.243	0.217	ns

Table 9. I/O Timing Analysis of RJ-45 Serial Data Lanes: Rx

Input	Speed Grade -4		Speed Grade -5		Speed Grade -6		Units
	Setup	Hold	Setup	Hold	Setup	Hold	
RJ-45	0.347	0.173	0.315	0.173	0.289	0.347	ns

Table 10. Resource Utilization

Sensor	Configuration and Data Lanes	Registers		LUTs		EBRs		PLLs	
		Tx	Rx	Tx	Rx	Tx	Rx	Tx	Rx
Aptina	2	784	383	793	482	4	2	1	1

Table 11. TX Maximum Output Data Rate

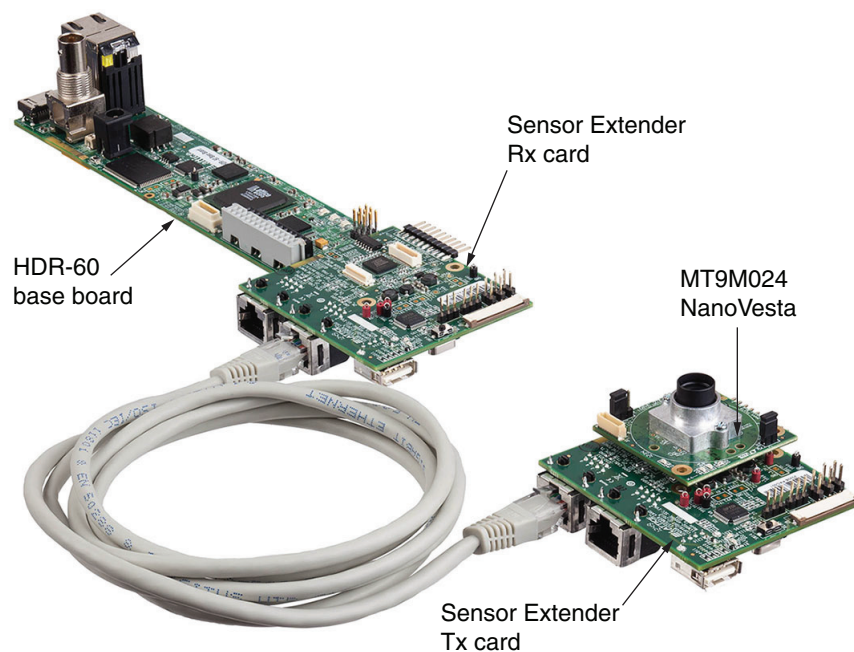
Parameter	Speed Grade -4	Speed Grade -5	Speed Grade -6	Units
Serial output data speed	525.21	630.12	756.43	Mbps (Max.)

Sensor Extender Development Set

The Sensor Extender reference design can be demonstrated using the following Lattice development boards which are available through major distributors. See Figure 11 for the board setup.

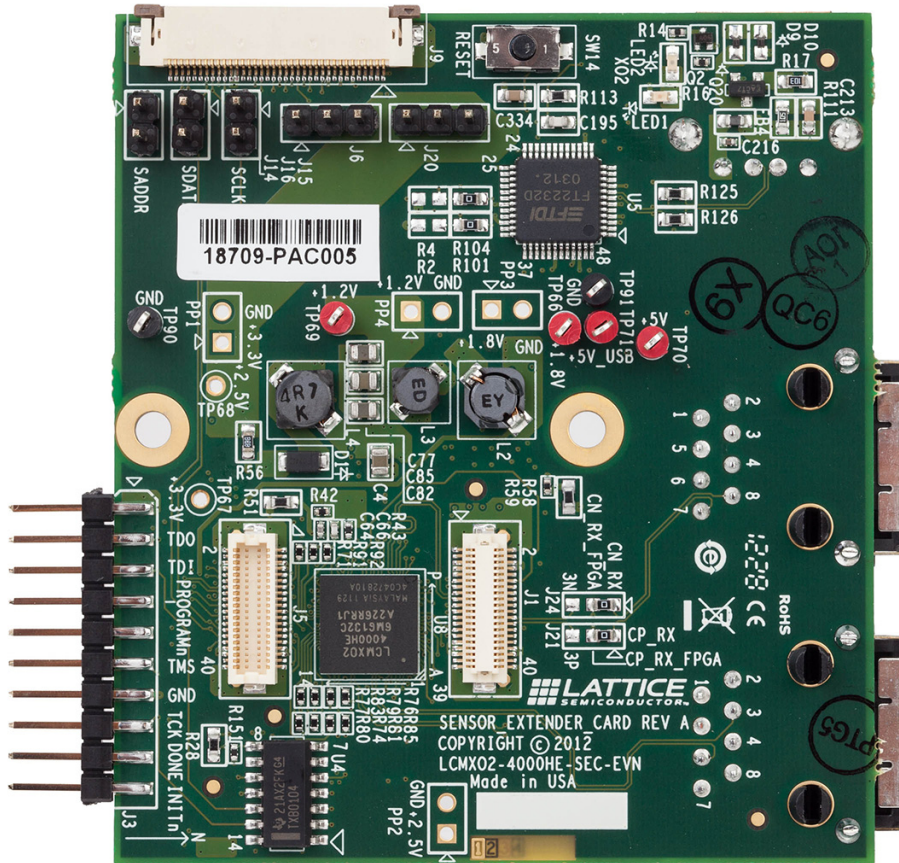
- **HDR-60 Base Board**
 - Part number: LFE3-70EA-HDR60-DKN
- **Sensor Extender Cards** (the Rx plugs into the HDR-60 Base Board, sensor plugs into the Tx)
 - Part number: LCMXO2-4000HE-SEC-EVN (includes two cards)
- **MT9M024 Sensor NanoVesta Head Board** - Sensor Board included with the HDR-60 kit
 - Part number: LF-9MT024NV-EVN

Figure 11. Sensor Extender Card Connected to the HDR-60 Base Board with NanoVesta Sensor



A demonstration bitstream and reference design are available on the [Lattice website](#).

Figure 12. Sensor Extender Card



References

- RD1120, [HiSpi-to-Parallel Sensor Bridge](#)
- Aptina MT9M024 Data Sheet
- Aptina MT9M024 Register Reference Guide

Technical Support Assistance

Hotline: 1-800-LATTICE (North America)
 +1-503-268-8001 (Outside North America)
 e-mail: techsupport@latticesemi.com
 Internet: www.latticesemi.com

Revision History

Date	Version	Change Summary
April 2013	01.0	Initial release.
October 2013	01.1	Changed access mode for programming the HDR60 to SPI Flash Background Programming.