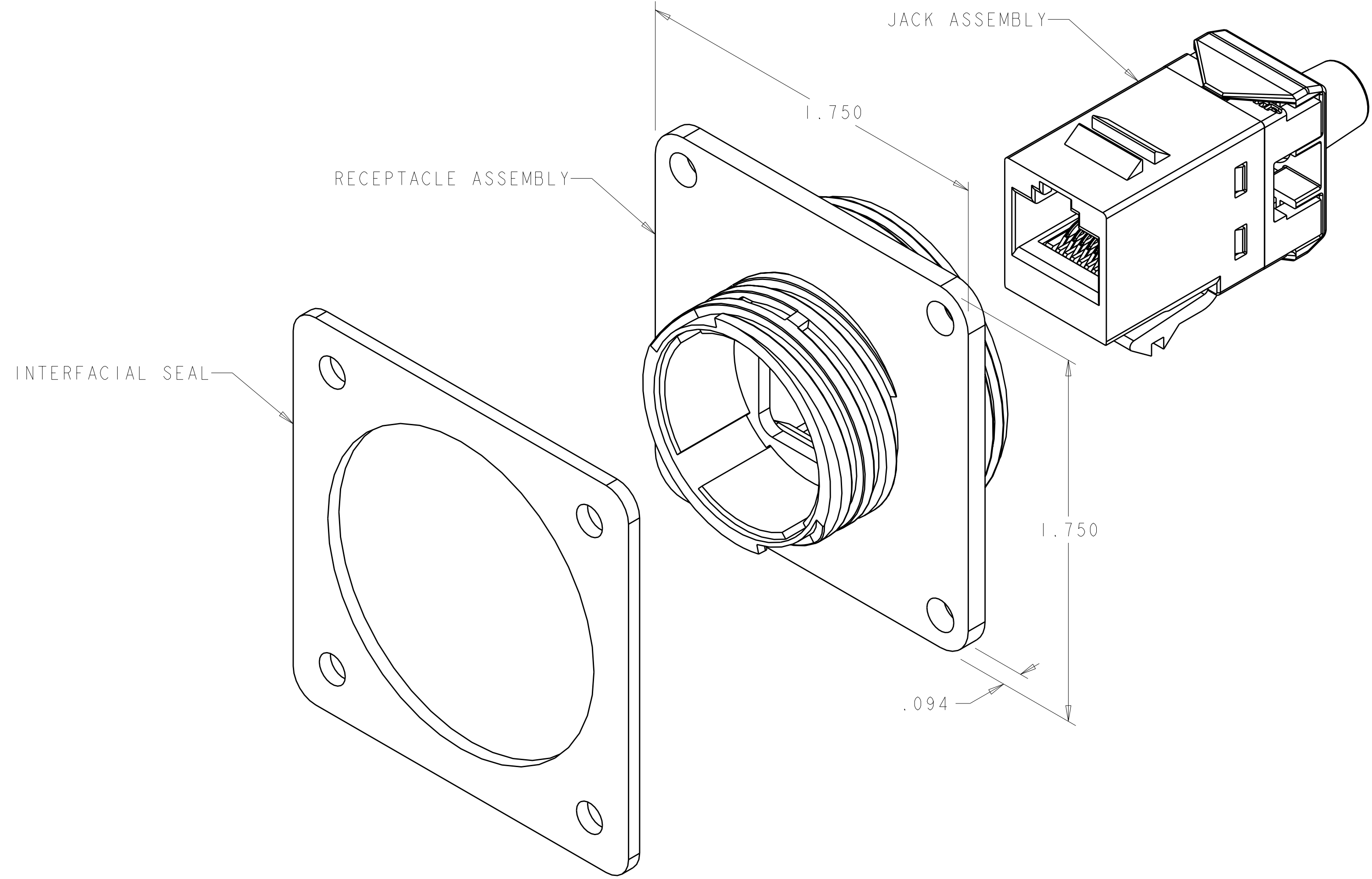


THIS DRAWING IS UNPUBLISHED. RELEASED FOR PUBLICATION 20
 © COPYRIGHT 20 BY TYCO ELECTRONICS CORPORATION. ALL RIGHTS RESERVED.

LOC		DIST		REVISIONS			
P	LTR	DESCRIPTION	DATE	DWN	APVD		
	A	REVISED EC 0G3B-0222-04	11MAR2004	SW	HW		
	B	REVISED ECO-06-016261	11JUL2006	SW	DC		
	BI	REVISED ECO-07-022509	25SEP2007	SW	MS		



1546877-1
 PART NUMBER

<small>THIS DRAWING IS A CONTROLLED DOCUMENT FOR TYCO ELECTRONICS CORPORATION. IT IS SUBJECT TO CHANGE AND THE CONTROLLING ENGINEERING ORGANIZATION SHOULD BE CONTACTED FOR THE LATEST REVISION.</small>		DWN	S. WELDON	11MAR2004	tyco Electronics Tyco Electronics Harrisburg, PA 17105-3608
DIMENSIONS: INCHES		CHK	H. WAKEEM	11MAR2004	
		APVD	H. WAKEEM	11MAR2004	
TOLERANCES UNLESS OTHERWISE SPECIFIED: 0 PLC ±- 1 PLC ±0.1 2 PLC ±0.02 3 PLC ±0.005 4 PLC ±0.0005 ANGLES ±- FINISH		PRODUCT SPEC	NAME RECEPTACLE KIT, UNASSEMBLED, UNSHIELDED, CPC INDUSTRIAL ETHERNET		
MATERIAL	-	APPLICATION SPEC	SIZE A2 CAGE CODE 00779 DRAWING NO. 1546877 RESTRICTED TO -		
-		WEIGHT	SCALE 3:1 SHEET 1 OF 1 REV BI		
-		CUSTOMER DRAWING			