

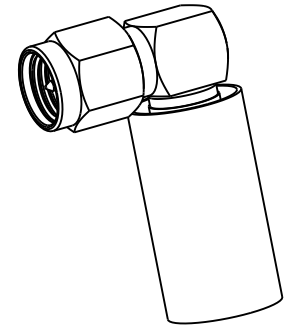
NOTES:

1. MATERIALS AND FINISHES:  
 BODIES, COUPLING NUT & CAP - STAINLESS STEEL, GOLD PLATING  
 CONTACT - BeCu, GOLD PLATING  
 INSULATORS - PTFE, NATURAL  
 FERRULE - COPPER, GOLD PLATING  
 GASKET - SILICONE RUBBER, RED  
 RETAINING RING - BeCu  
 HEAT SHRINK TUBE - POLYOLEFIN
2. ELECTRICAL:  
 A. IMPEDANCE : 50 OHM
3. MECHANICAL:  
 A. DURABILITY : 500 CYCLES MIN.  
 B. TEMPERATURE RANGE: -65° C TO +165° C
4. PACKAGING:  
 A. QUANTITY : SINGLE PACK  
 B. MARKING : BAG TO BE MARKED  
 "AMPHENOL RF, 901-9531-1, AND DATE CODE"
5. FOR CABLE STRIPPING AND ASSEMBLY INSTRUCTIONS SEE 349-50180, SHEET 12.  
 USE CRIMP TOOL 227-944 WITH DIE SET 227-1221-11, CAVITY 'A'  
 (M22520/5-11 CLOSURE 'A') 0.213 HEX.

THIRD ANGLE PROJ.

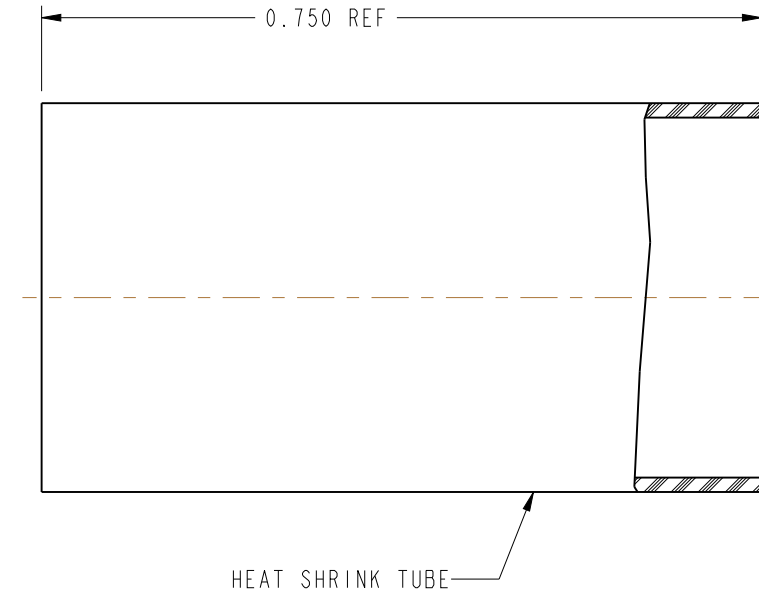
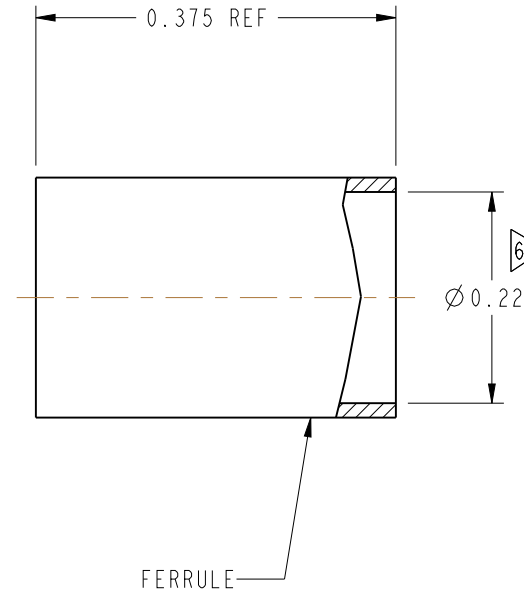
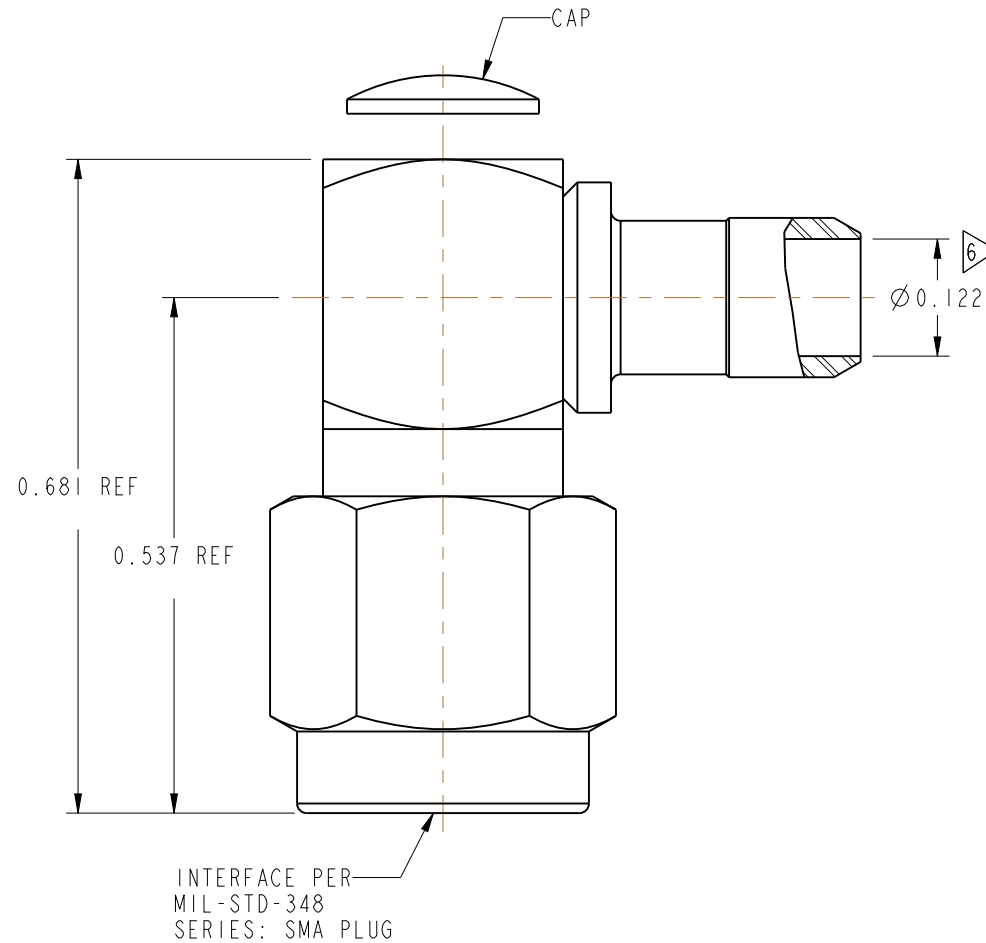
REVISIONS

REV	DESCRIPTION	DATE	ECO	APPR
--	RELEASE TO MFG.	-----	-----	-----
U	ADDED COD	2/24/14	49780	MB



SCALE 1.500

SHOWS CABLE ENTRY DIMENSIONS



**CUSTOMER OUTLINE DRAWING**  
 ALL OTHER SHEETS ARE FOR INTERNAL USE ONLY

UNLESS OTHERWISE SPECIFIED, DIMENSIONS ARE IN INCHES AND TOLERANCES ARE: 2 PLACE DECIMAL 3 PLACE DECIMAL ANGLES $\pm .015$ (0,381 mm) $\pm .005$ (0,127 mm) $\pm 1^\circ$	MATERIAL	DRAWN	DATE	TITLE SMA RIGHT ANGLE PLUG CRIMP TYPE FOR RG-55 RG-142, 223 & 400 CABLE		Amphenol RF www.amphenolrf.com	
	SEE NOTES	MOHAN	04-Nov-13				
NOTICE - These drawings, specifications, or other data (1) are, and remain the property of Amphenol corp. (2) must be returned upon request; and (3) are confidential and not to be disclosed to any person other than those to whom they are given by Amphenol Corp. the furnishing of these drawings, specifications, or other data by Amphenol Corp., or to any other person to anyone for any purpose is not to be regarded by implication or otherwise in any manner licensing, granting rights to permitting such holder or any other person to manufacture, use or sell any product, process or design, patented or otherwise, that may in any way be related to or disclosed by said drawings, specifications, or other data.	REFERENCE	ENGINEER	DATE	SCALE: 5.0:1.0 SHEET 2 OF 2		DRAWING NO.901-9531-1	
	EAR # 107-966078	MOHAN	04-Nov-13			ITEM NO.901-9531-1	
	CONFIGURATION LEVEL: In Work	APPROVED	DATE		DWG SIZE		REV
FINISH	K. CAPOZZI	2/21/14		B		U	
						PART NO.901-9531-1	