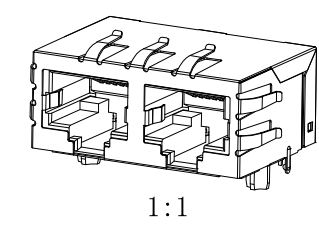
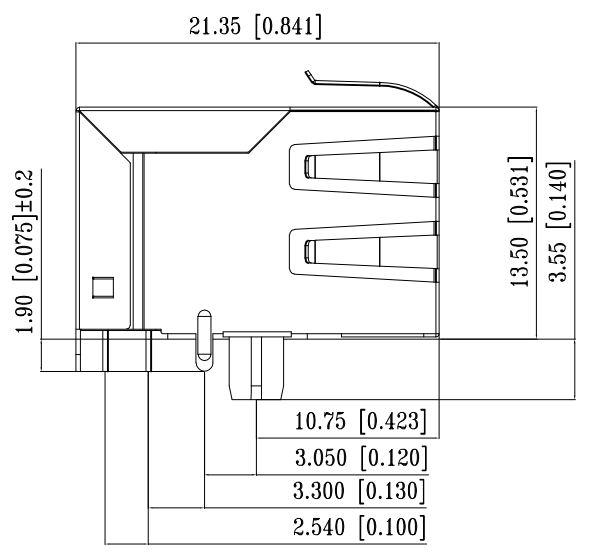
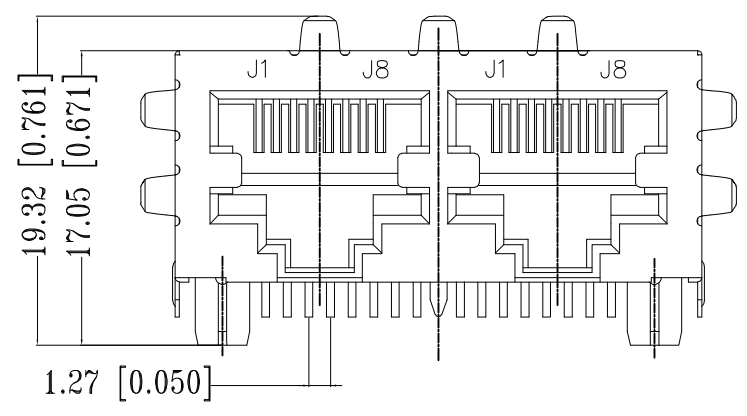
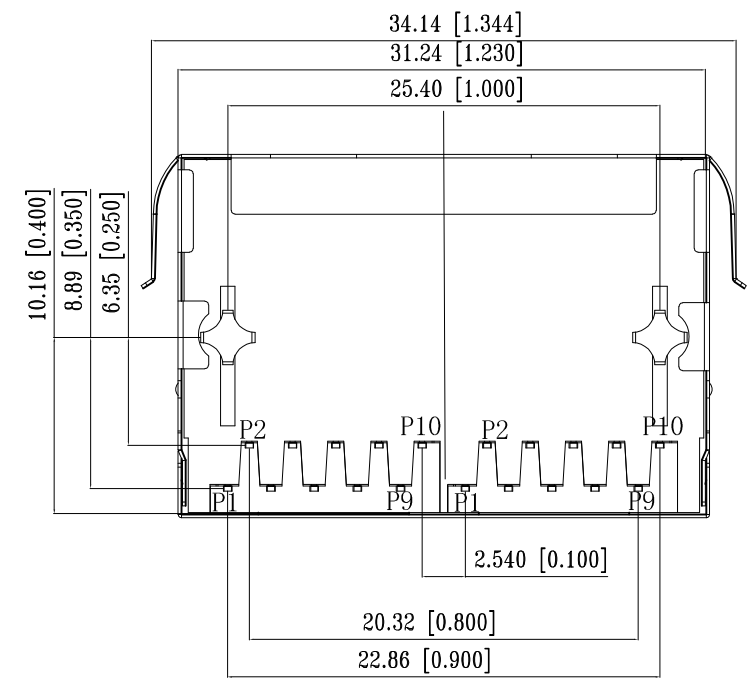


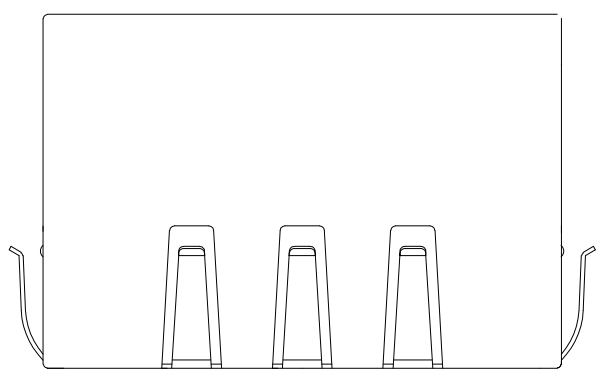
THIS DRAWING IS UNPUBLISHED
 RELEASED FOR PUBLICATION
 - , 2017.
 © COPYRIGHT - 2017 by TE Connectivity Germany GmbH
 ALL RIGHTS RESERVED.

REVISIONS				
P	LTR	DESCRIPTION	DATE	APVD
	A1	New Release	09MAR2017	GCMMSZ



- △ CONNECTOR MATERIAL:
 HOUSING: LCP BLACK UL94 V-0
 INSERT: LCP BLACK UL94 V-0
 SHIELD: BRASS
 SHIELD PLATING: NICKEL
 CONTACT: COPPER ALLOY
 CONTACT PLATING: SELECTIVE GOLD, MIN. 0.76µm (30µinch) IN CONTACT AREA
 OVER MIN. 1.27µm (50µinch) NICKEL
 SOLDER PIN PLATING: 3.05µm (120µinch) TIN OVER 1.02µm (40µinch) NICKEL
 OVER ALL
 SHIELDING PIN PLATING: NICKEL
- 2 PIN NOT ELECTRICALLY CONNECTED MAYBE OMITTED SEE ELECTRICAL CIRCUIT DIAGRAM FOR OMITTED PINS
- 3 RJ45 CAVITIES CONFORM TO FCC RULES AND REGULATION PART 68
- 4 THE PART IS RECOMMENDED FOR REFLOW SOLDERING PROCESS PEAK SOLDERING: TEMPERATURE MAX. +260° C, MAX. 10s
- 5 OPERATING TEMPERATURE: T= -40° C TO +85° C
- 6 STORAGE TEMPERATURE: T= -40° C TO +85° C
- △ UNLESS OTHERWISE SPECIFIED, SEE TABLE FOR ALL DIMENSIONS TOLERANCES
- 8 JACK CONFIGURATION: 1 x 2
 TAB DIRECTION: DOWN
- 9 PACKAGING: TRAY ACCORDING TO PACKAGING SPECIFICATION 107-18116

TABLE OF TOLERANCE (mm)	
RANGE	TOLERANCE
0-10	±0.15
>10-40	±0.25
>40-70	±0.30
>70	±0.40

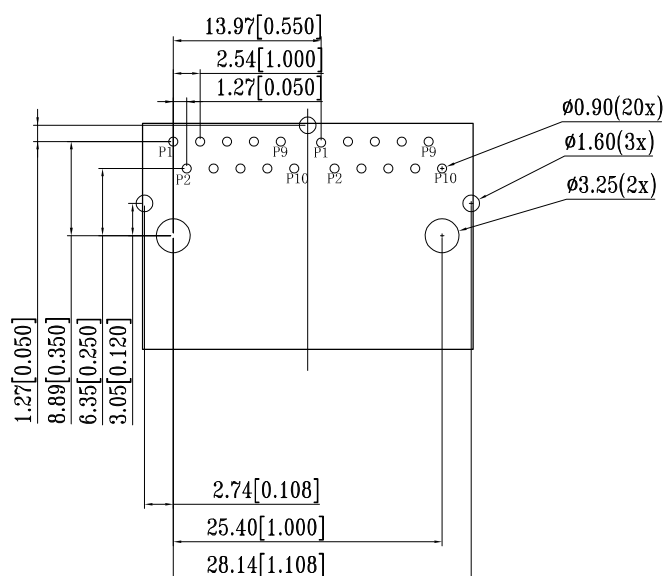


THIS DRAWING IS A CONTROLLED DOCUMENT.		DWN 27AUG2016 GANESH C M	TE Connectivity	
DIMENSIONS: mm [INCHES]		CHK 27AUG2016 FRANZ MUELLER		
TOLERANCES UNLESS OTHERWISE SPECIFIED:		APVD 27AUG2016 MARTIN SZELAG	NAME RJ45 JACK INT.MAG. 1Gb 1x2	
0 PLC ± - 1 PLC ± - 2 PLC ± - 3 PLC ± - 4 PLC ± - ANGLES ± -		PRODUCT SPEC 108-94552	RESTRICTED TO	
MATERIAL		APPLICATION SPEC 114-94447	SIZE A3	CAGE CODE 00779
FINISH		WEIGHT -	DRAWING NO C-5-2301996-4	
CUSTOMER DRAWING		SCALE 3:1		SHEET 1 OF 3
				REV A1

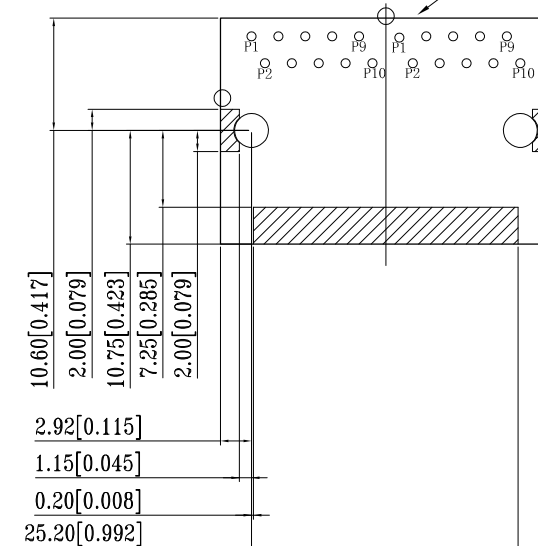
REVISIONS

P	LTR	DESCRIPTION	DATE	DWN	APVD
-	-	SEE SHEET 1	-	-	-

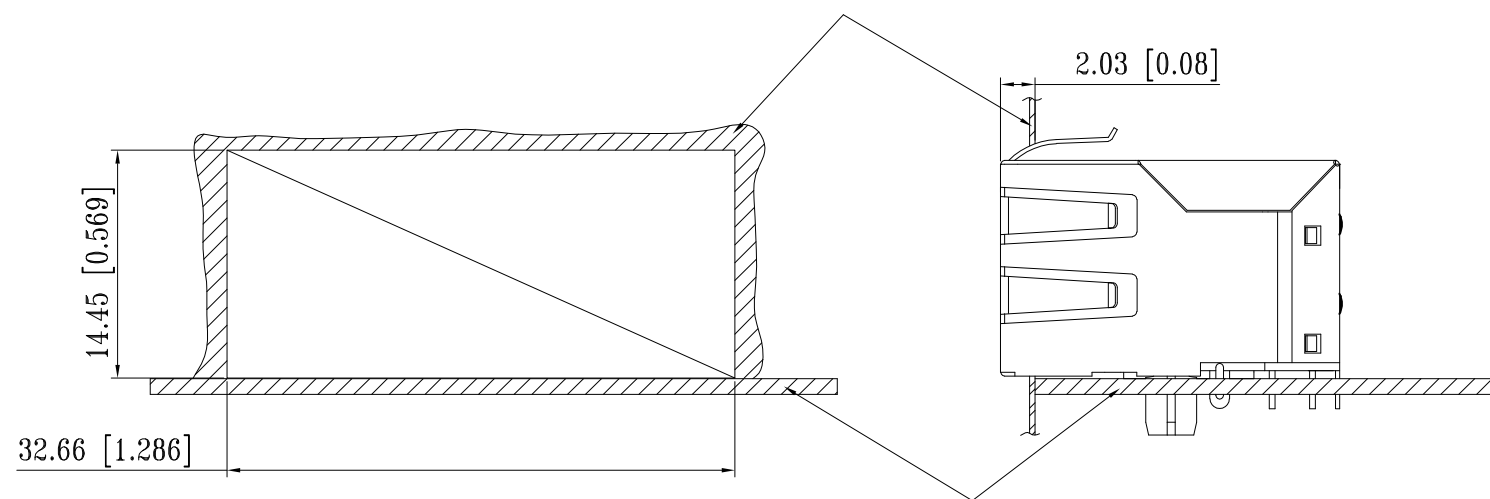
SUGGESTED PCB LAYOUT



Connector Boundary




METAL PANEL



PCB

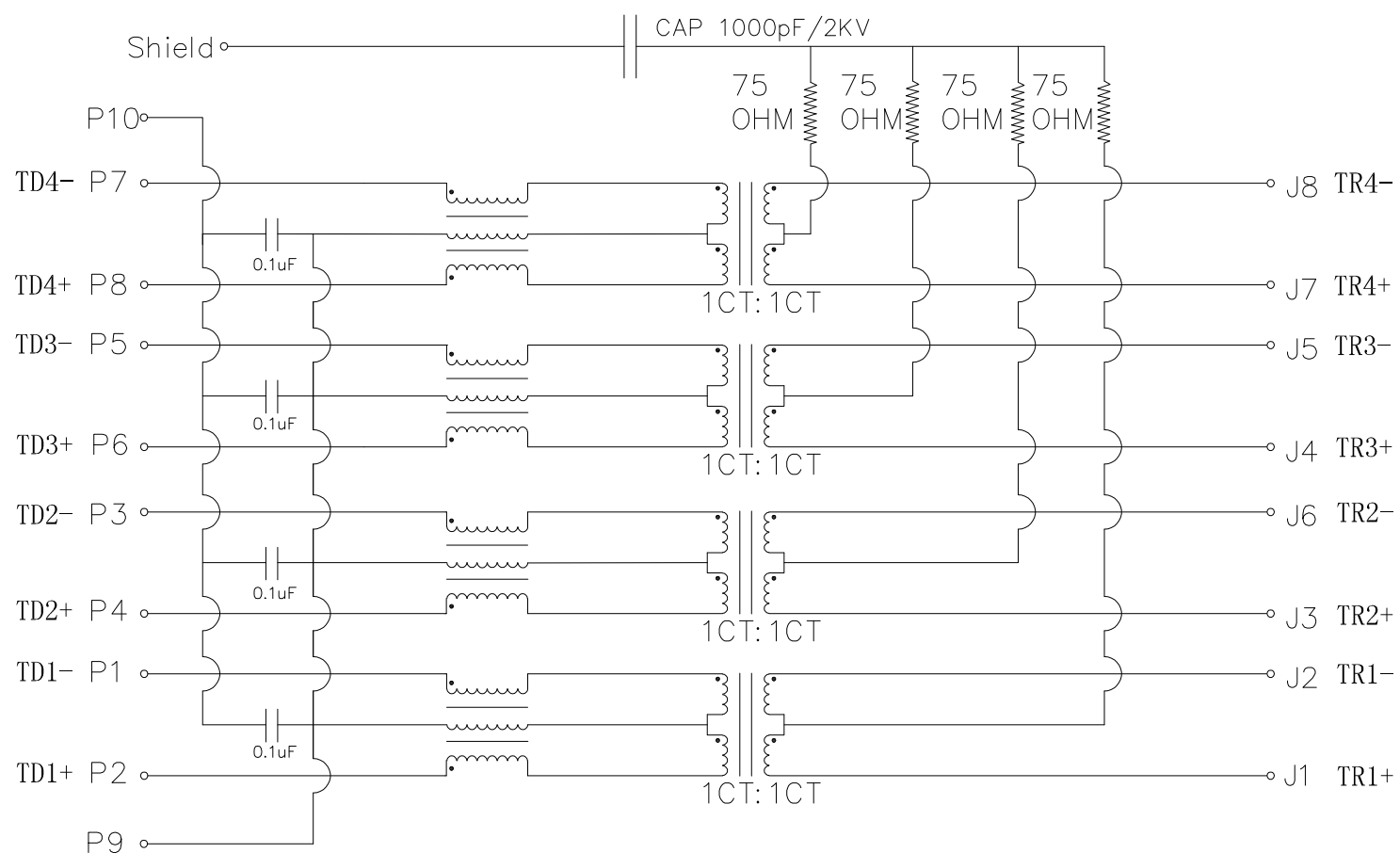
UNIT: mm / inch
TOLERANCES: ± 0.10 / 0.004

THIS DRAWING IS A CONTROLLED DOCUMENT.		DWN GANESH C M 27AUG2016	 TE Connectivity															
DIMENSIONS: mm [INCHES]		CHK FRANZ MUELLER 27AUG2016				NAME RJ45 JACK INT.MAG. 1Gb 1x2												
TOLERANCES UNLESS OTHERWISE SPECIFIED:		APVD MARTIN SZELAG 27AUG2016	PRODUCT SPEC 108-94552															
<table border="0"> <tr> <td>0 PLC</td> <td>$\pm -$</td> <td rowspan="5" style="text-align: center;">7</td> </tr> <tr> <td>1 PLC</td> <td>$\pm -$</td> </tr> <tr> <td>2 PLC</td> <td>$\pm -$</td> </tr> <tr> <td>3 PLC</td> <td>$\pm -$</td> </tr> <tr> <td>4 PLC</td> <td>$\pm -$</td> </tr> <tr> <td>ANGLES</td> <td>$\pm -$</td> <td></td> </tr> </table>		0 PLC	$\pm -$	7	1 PLC	$\pm -$	2 PLC	$\pm -$	3 PLC	$\pm -$	4 PLC	$\pm -$	ANGLES	$\pm -$		APPLICATION SPEC 114-94447		RESTRICTED TO -
0 PLC	$\pm -$	7																
1 PLC	$\pm -$																	
2 PLC	$\pm -$																	
3 PLC	$\pm -$																	
4 PLC	$\pm -$																	
ANGLES	$\pm -$																	
MATERIAL 1		FINISH 1	WEIGHT 0	SIZE A3	CAGE CODE 00779													
CUSTOMER DRAWING			DRAWING NO C-5-2301996-4	SCALE 3:1	SHEET 2 OF 3													
			REV A1															

REVISIONS

P	LTR	DESCRIPTION	DATE	DWN	APVD
-	-	SEE SHEET 1	-	-	-

ELECTRICAL CIRCUIT DIAGRAM



- 1.0 Turn Ratio @100KHz: (P2~P1):(J1~J2) = 1:1±2%
(P4~P3):(J3~J6) = 1:1±2%
(P6~P5):(J4~J5) = 1:1±2%
(P8~P7):(J7~J8) = 1:1±2%
- 2.0 Primary Inductance: 350uH MIN @100KHZ,0.1V 8mA DC BIAS
- 3.0 DC Resistance: 1.2 OHMS MAX
- 4.0 Insertion Loss: 1-100MHz -1.0dB MAX
100-125MHz -1.2dB MAX
- 5.0 Return Loss: 1-40MHz -16dB MIN
40-60MHz -12dB MIN
60-80MHz -10dB MIN
80-100MHz -8dB MIN
- 6.0 Cross Talk: 1-100MHz -30dB MIN
- 7.0 COMMON TO COMMON MODE ATTENUATION: 1-100MHz -30dB MIN
- 8.0 Isolation: PHY Side to Line Side: 2250VDC



CONTROL CODE

DATE CODE

"0213"

YY-YEAR

WW-WEEK

FCC

THIS DRAWING IS A CONTROLLED DOCUMENT.		DWN GANESH C M 27AUG2016	TE Connectivity		
DIMENSIONS: mm [INCHES]		CHK FRANZ MUELLER 27AUG2016			
TOLERANCES UNLESS OTHERWISE SPECIFIED:		APVD MARTIN SZELAG 27AUG2016	NAME RJ45 JACK INT.MAG. 1Gb 1x2		
0 PLC ± -		PRODUCT SPEC 108-94552	SIZE		
1 PLC ± -		APPLICATION SPEC 114-94447	CAGE CODE		
2 PLC ± -		WEIGHT 0	DRAWING NO		
3 PLC ± -		CUSTOMER DRAWING	RESTRICTED TO		
4 PLC ± -			SCALE 3:1		
ANGLES ± -		SHEET 3 OF 3			
MATERIAL 1		REV A1			
FINISH 1		DRAWING NO C-5-2301996-4			