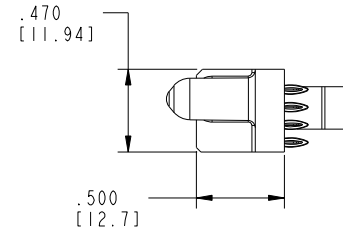
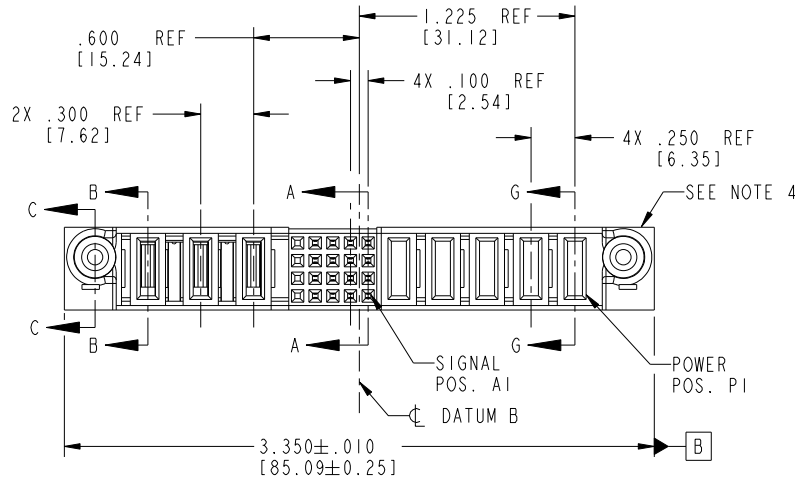
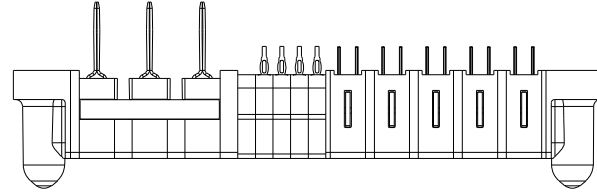


Tous droits strictement reserves. Reproduction ou communication a des tiers interdite sous quelque forme que ce soit sans autorisation écrite du propriétaire. Propriete de c FCI. Droits de reproduction FCI.



All rights strictly reserved. Reproduction or issue to third parties in any form whatever is not permitted without written authority from the proprietor. Property of FCI. Copyright FCI.

PRODUCT NO.	ROWS	POWER				SIG.				POWER				E1	
		E2	P8	P7	P6	5	4	3	2	1	P5	P4	P3		P2
51927-002-- Note: ③	D C B A		PH	PH	PG	X	F	F	F	F	PF	PC	PC	PF	PF
						X	F	F	F	F					
						X	F	F	F	F					
						X	F	F	F	F					



CODE	DIM "M" MATING LENGTH	CONTACT TYPE
F	N/A [N/A]	SIGNAL
PC	.042 [1.07]	POWER
PF	.092 [2.34]	POWER
PG	.042 [1.07]	POWER
PH	.092 [2.34]	POWER
X	OMITTED	

mat'l code SEE NOTE 2				tolerances unless otherwise specified		CUSTOMER		FCI	
ltr	ecn no.	dr	date	linear	.XX±.01/0.X±0.3	COPY		www.fciconnect.com	
A	V03-0596	MEM	5/27/03	projection	.XXX±.005/0.XX±0.13	INCH/MM		title 5P + 20S + 3ACP	
B	V03-0629	TAB	6/04/03	angles	.XXX±.002/0.XXX±0.051	scale 1:1		VERT P/F RCPT CABLE PORT	
C	DG05-0123	SJ	05/25/05		0°±2°	product family PwrBlade		code 213	
D	DG05-0175	SJ	06/20/05	dr	M. MOSTOLLER 5/27/03	size A		sheet 1 of 4	
E	DG06-0375	JULIA	09/06/06	enrg	M. MOSTOLLER 5/27/03	dwg no 51927-002			
F	DG08-0273	WD	12/15/08	chr	H. BREWBAKER 5/27/03	cage code 22526			
				appd	M. MOSTOLLER 5/27/03				
sheet index	revision sheet	F 1	F 2	F 3	F 4				

Pro/E

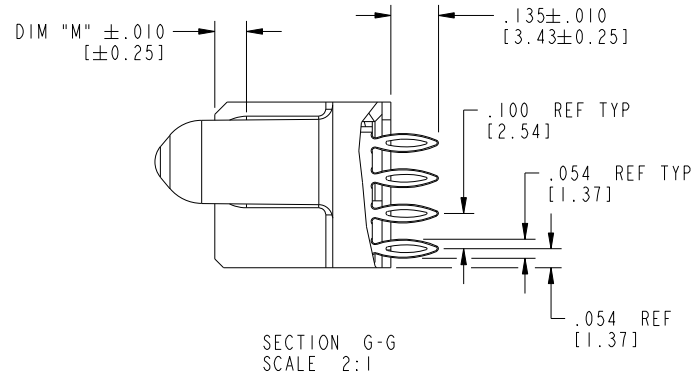
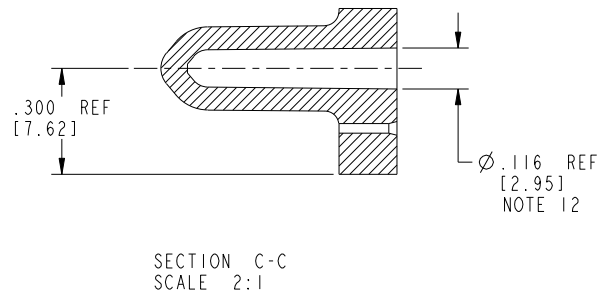
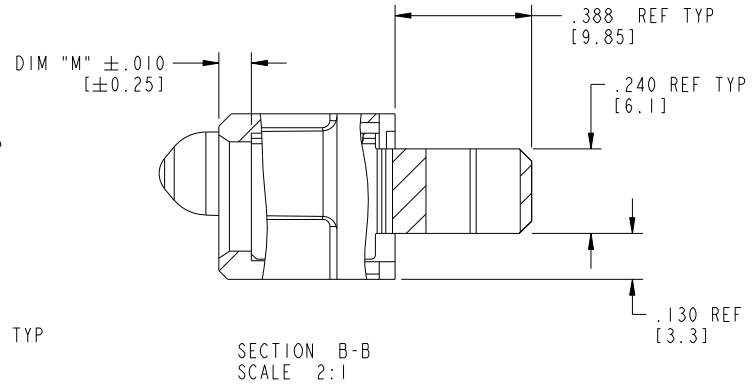
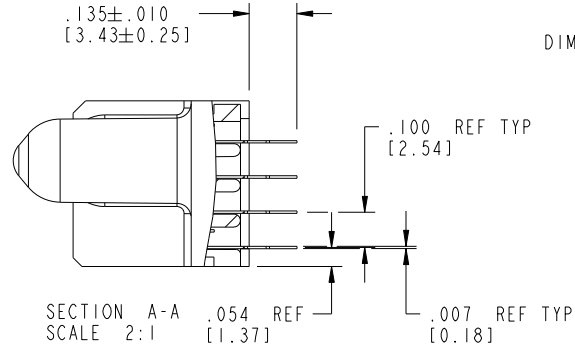
cage code 22526

Tous droits strictement reserves. Reproduction ou communication a des tiers interdite sous quelque forme que ce soit sans autorisation ecrite du proprietaire. Propriete de c FCI. Droits de reproduction FCI.



All rights strictly reserved. Reproduction or issue to third parties in any form whatsoever is not permitted without written authority from the proprietor. Property of FCI. Copyright FCI.

PRODUCT NUMBER  
51927-002--  
Note: ③



mat'l code		SEE NOTE 2		tolerances unless otherwise specified		CUSTOMER		 www.fciconnect.com	
ltr	ecn no.	dr	date	linear	.XX±.01/0.X±0.3	COPY		title	
F					.XXX±.005/0.XX±0.13	projection		5P + 20S + 3ACP	
				angles	.XXX±.0020/0.XXX±0.051	 INCH/MM		VERT P/F RCPT CABLE PORT	
				dr	M. MOSTOLLER 5/27/03	scale		product family	
				enrg	M. MOSTOLLER 5/27/03	1:1		PwrBlade	
				chr	H. BREWBAKER 5/27/03	A		code	
				appd	M. MOSTOLLER 5/27/03	size		213	
sheet index		revision sheet				dwg no		sheet	
						51927-002		2 of 4	

cage code 22526

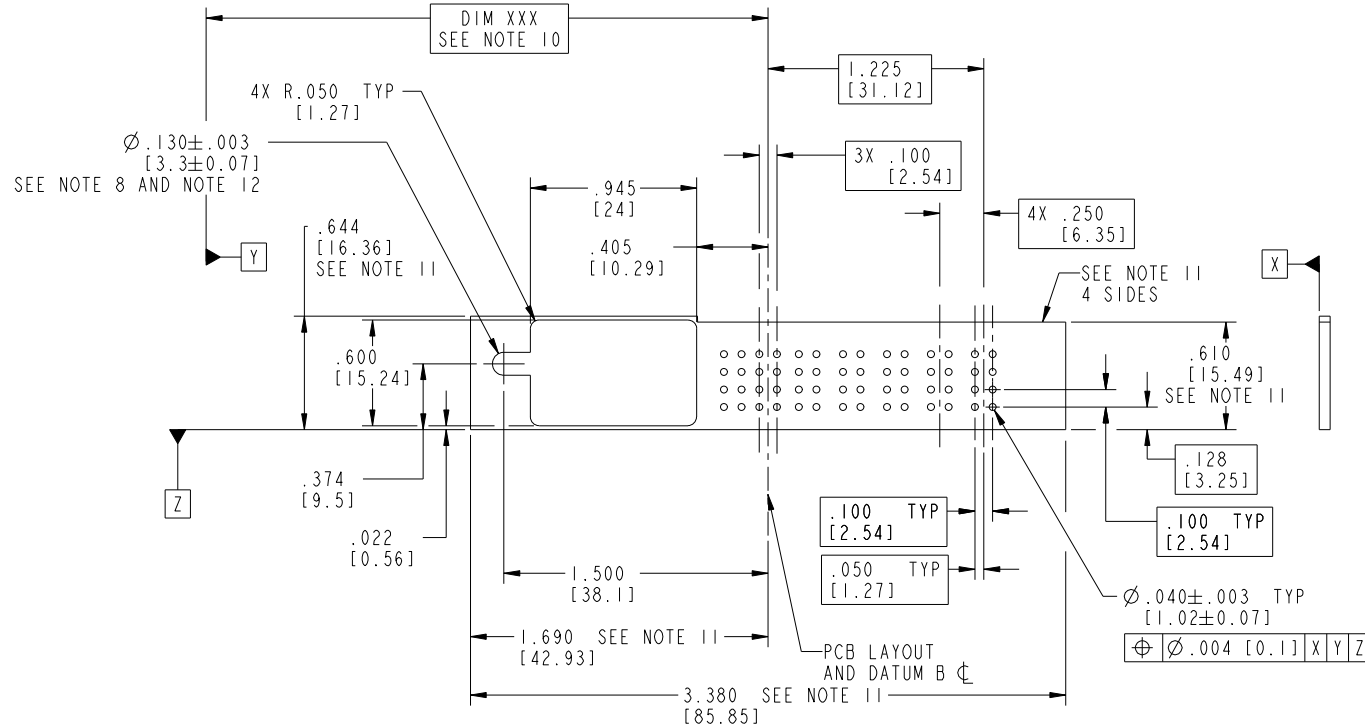
Pro/E

Tous droits strictement réservés. Reproduction ou communication à des tiers interdite sous quelque forme que ce soit sans autorisation écrite du propriétaire. Propriété de c.FCI. Droits de reproduction FCI.



All rights strictly reserved. Reproduction or issue to third parties in any form whatsoever is not permitted without written authority from the proprietor. Property of FCI. Copyright FCI.

PRODUCT NUMBER  
51927-002--  
Note: ③



mat'l code		SEE NOTE 2		tolerances unless otherwise specified		CUSTOMER		FCI	
ltr	ecn no.	dr	date	linear	$.XX \pm .01 / 0.X \pm 0.3$	COPY		www.fciconnect.com	
F				linear	$.XXX \pm .005 / 0.XX \pm 0.13$	projection		title	
				angles	$.XXX \pm .002 / 0.XXX \pm 0.051$			5P + 20S + 3ACP	
				dr	0° ± 2°	INCH/MM		VERT P/F RCPT CABLE PORT	
				enrg	M. MOSTOLLER 5/27/03	scale		product family	
				chr	M. MOSTOLLER 5/27/03	1:1		PwrBlade	
				appd	H. BREWBAKER 5/27/03			code	
					M. MOSTOLLER 5/27/03			213	
sheet index	revision sheet							size	
								dwg no	
								A 51927-002	
								sheet	
								3 of 4	

cage code 22526

Pro/E

Tous droits strictement reserves. Reproduction ou communication a des tiers interdite sous quelque forme que ce soit sans autorisation écrite du propriétaire. Propriete de c FCI. Droits de reproduction FCI.



All rights strictly reserved. Reproduction or issue to third parties in any form whatever is not permitted without written authority from the proprietor. Property of FCI. Copyright FCI.

PRODUCT NUMBER  
51927-002--  
Note: ③

NOTES:

1. DIMENSIONS AND TOLERANCES ARE IN ACCORDANCE WITH ASME Y14.5M, 1994 UNLESS OTHERWISE SPECIFIED.

CONNECTOR NOTES:

2. HOUSING MATERIAL: UL 94 V-0 GLASS FILLED HIGH-TEMP THERMOPLASTIC  
POWER CONTACT MATERIAL: COPPER ALLOY  
SIGNAL PIN MATERIAL: COPPER ALLOY

③ SEE ITEM 7 & 8 IN PRINT 10064183 FOR PLATING SPEC OF 51927-002 AND 51927-002LF RESPECTIVELY.

4. MANUFACTURER'S NAME, P/N, AND DATE CODE TO APPEAR ON THIS SURFACE.

5. PRODUCT SPECIFICATION GS-12-149.  
APPLICATION SPECIFICATION BUS-20-067.

6. PACKAGED IN TRAYS.

PCB NOTES:

7. ALL HOLE DIAMETERS ARE FINISHED HOLE SIZE.

8. MOUNTING HOLES, WHERE APPLICABLE, ARE UNPLATED.

9.  $\varnothing .0453 \pm .0010$  [1.151  $\pm$  0.025] DRILLED HOLES PLATED WITH .0003 [0.008] MIN SnPb or Sn OVER .001 [0.03] TO .003 [0.08] Cu PLATING TO ACHIEVE  $\varnothing .040 \pm .003$  [1.02  $\pm$  .07] HOLE.

10. "DIM XXX" TO BE DETERMINED BY THE CUSTOMER.

11. CONNECTOR KEEP-OUT ZONE.

12. RECOMMENDED RETENTION TO PCB:  $\varnothing .13$  [3.3] THRU HOLE FOR #5 SOCKET HEAD CAP SCREW  
MAX HEAD  $\varnothing .205$  [5.21] RECOMMENDED SCREW LENGTH .472 [12.0] + PCB THICKNESS. RECOMMENDED SCREW SEATING TO PCB TORQUE: 2-5 lbf-IN [2300-5760 gf-cm].

13. A  $\Delta$  SYMBOL WILL BE NEXT TO ANY DIMENSION, VIEW, OR NOTE WHICH HAS BEEN MODIFIED WITH THE CURRENT DRAWING REVISION.

mat'l code		SEE NOTE 2		tolerances unless otherwise specified		CUSTOMER		FCI		www.fciconnect.com	
ltr	ecn no.	dr	date	linear	$.XX \pm .01 / 0.X \pm 0.3$	COPY		projection		title	
F					$.XXX \pm .005 / 0.XX \pm 0.13$	A				5P + 20S + 3ACP	
				angles	$.XXX \pm .0020 / 0.XXX \pm 0.051$	INCH/MM				VERT P/F RCPT CABLE PORT	
				dr	$0^{\circ} \pm 2^{\circ}$	scale		product family		code	
				enrg	M. MOSTOLLER 5/27/03	1:1		PwrBlade		213	
				chr	M. MOSTOLLER 5/27/03	A		size		sheet	
				appd	H. BREWBAKER 5/27/03			dwg no		4 of 4	
					M. MOSTOLLER 5/27/03			51927-002			
sheet index	revision sheet										

cage code 22526