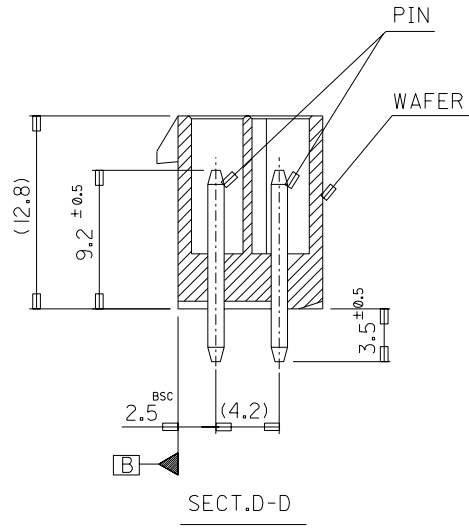
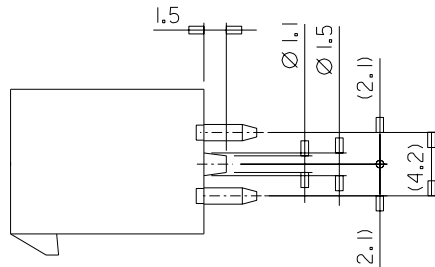


RECOMMENDED P.C.BOARD PATTERN



NOTES

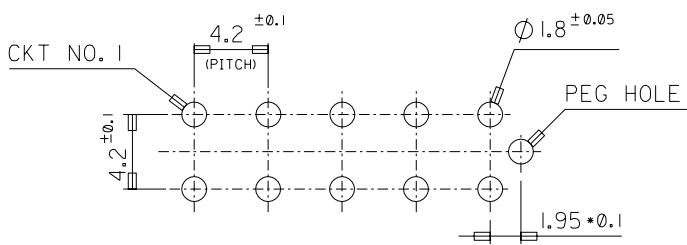
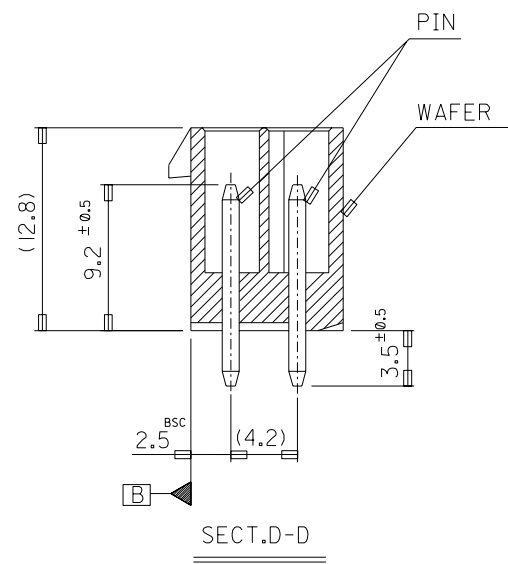
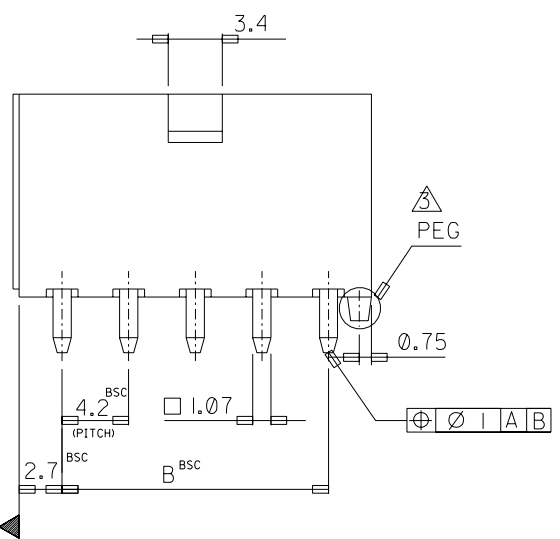
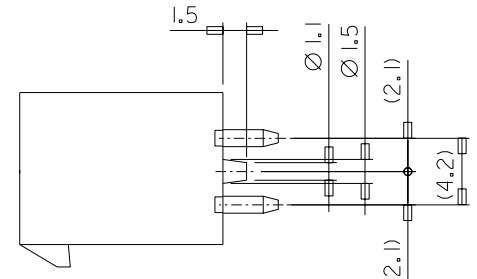
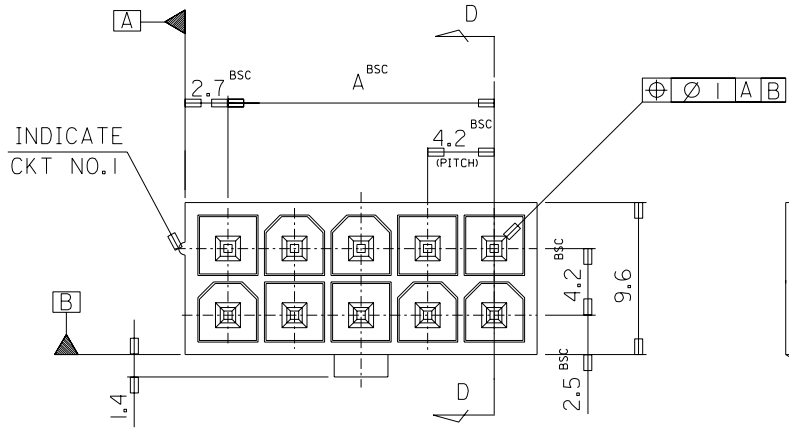
1. WHEN MATED WITH 5557-NR TO BE SURELY LOCKED.
2. MATERIAL: WAFER — NYLON66 UL94V-0  
NYLON66 UL94V-2  
PIN — BRASS(TIN PLATED)

LEGEND

35317 - \*\* \* 0  
 I: NYLON66 UL94V-0  
 2: NYLON66 UL94V-2  
 3: NYLON66 UL94V-0, WITH PEG  
 4: NYLON66 UL94V-2, WITH PEG  
 CKT

|      |      |             |         |
|------|------|-------------|---------|
| 46.2 | 46.2 | 35317 -24*0 | 24      |
| 42.0 | 42.0 | -22*0       | 22      |
| 37.8 | 37.8 | -20*0       | 20      |
| 33.6 | 33.6 | -18*0       | 18      |
| 29.4 | 29.4 | -16*0       | 16      |
| 25.2 | 25.2 | -14*0       | 14      |
| 21.0 | 21.0 | -12*0       | 12      |
| 16.8 | 16.8 | -10*0       | 10      |
| 12.6 | 12.6 | -08*0       | 8       |
| 8.4  | 8.4  | -06*0       | 6       |
| 4.2  | 4.2  | 35317 -04*0 | 4       |
| A    | B    | ENG. NO.    | CIRCUIT |

|                           |                 |        |          |  |       |                                       |
|---------------------------|-----------------|--------|----------|--|-------|---------------------------------------|
| B                         | REVISED         | 00-071 | 00/09/18 | MATERIAL                               |       | molex MOLEX-KOREA CO.,LTD.            |
| A                         | NEW RELEASED    | 94-074 | 94/12/20 | GENERAL TOLERANCE                      | ± 0.3 |                                       |
| 2                         | REVISED         | 94-054 | 94/11/74 | ANGLE                                  | ± 1°  | CHK'D BY                              |
| 1                         | REVISED         | 94-017 | 94/9/77  | DIMENSION CLASSIFICATION               |       | APP'D BY                              |
| 0                         | PRE-RELEASED    |        | 93/5/1   | ▽ : CRITICAL ▼ : MAJOR ( ) : REFERENCE |       | SCALE 3/1                             |
| LTR                       | REVISION RECORD | ECN    | DATE     | ASS'Y PART DESCRIPTION                 |       | TITLE: NEW MINI FIT CONN. WAFER ASS'Y |
| REVISE ONLY ON CAD SYSTEM |                 |        |          | ENG. NO.                               |       | SHEET REV A                           |



RECOMMENDED P.C.BOARD PATTERN

REVISED  
KOR2003-0259  
K.S.KIM 2003.5.23  
J.K.OH  
C.W.LEE

C

NOTES

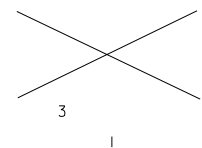
1. WHEN MATED WITH 5557-NR TO BE SURELY LOCKED.
2. MATERIAL: WAFER — NYLON66 UL94V-0  
NYLON66 UL94V-2  
PIN — BRASS(TIN PLATED)  
MOLD PEG IS 35317-\*\*\*3\*, -\*\*\*4\* ONLY.

LEGEND

35317 - \*\* \* \*  
COLOR - 0:NATURAL  
1:BLACK  
2:RED  
3:YELLOW  
4:BLUE  
6:GREEN  
7:BROWN  
1: NYLON66 UL94V-0  
2: NYLON66 UL94V-2  
3: NYLON66 UL94V-0(WITH PEG)  
4: NYLON66 UL94V-2(WITH PEG)  
CKT

|      |             |            |         |
|------|-------------|------------|---------|
| 46.2 | 3531724**   | 35317-24** | 24      |
| 42.0 | 3531722**   | -22**      | 22      |
| 37.8 | 3531720**   | -20**      | 20      |
| 33.6 | 3531718**   | -18**      | 18      |
| 29.4 | 3531716**   | -16**      | 16      |
| 25.2 | 3531714**   | -14**      | 14      |
| 21.0 | 3531712**   | -12**      | 12      |
| 16.8 | 3531710**   | -10**      | 10      |
| 12.6 | 3531708**   | -08**      | 8       |
| 8.4  | 3531706**   | -06**      | 6       |
| 4.2  | 3531704**   | -04**      | 4       |
| —    | 3531702**   | 35317-02** | 2       |
| A    | MaterialNo. | ENG. NO.   | CIRCUIT |

3:1 X  
D.J.KIM 1993.05.01  
J.K.OH  
C.W.LEE



NEW MINIFIT CONN.  
WAFER ASS'Y