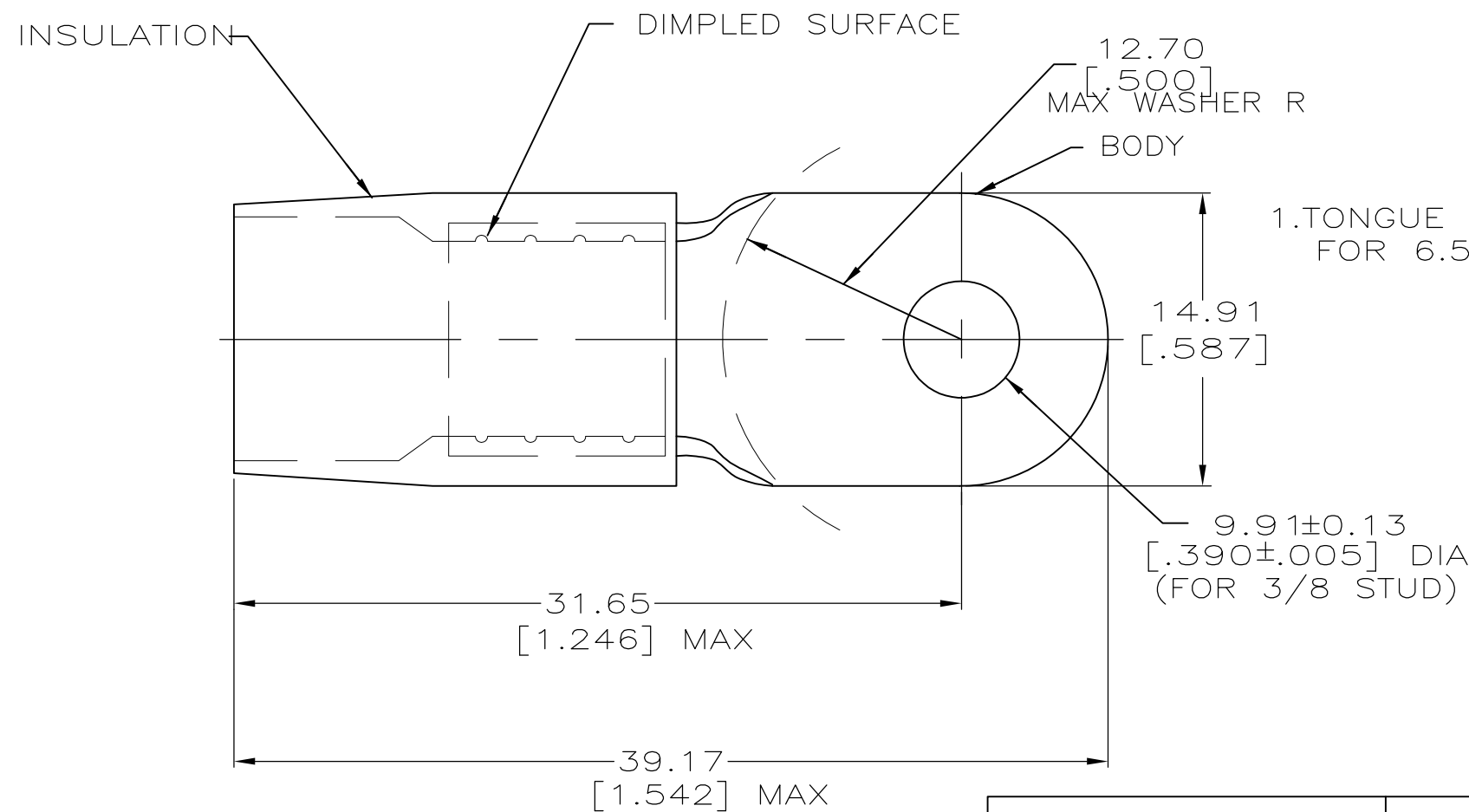


THIS DRAWING IS UNPUBLISHED. RELEASED FOR PUBLICATION
 © COPYRIGHT - By - ALL RIGHTS RESERVED.

LOC	DIST	REVISIONS					
G	14	P	LTR	DESCRIPTION	DATE	DWN	APVD
		D1		REVISED PER ECO-11-004917	11MAR11	RK	HMR

AMP
WIRE RANGE
8 AWG
STRANDED

METRIC
DIMENSIONS LISTED IN mm [INCHES]



1. TONGUE MATERIAL THK 1.02±0.08 [.040±.003]
FOR 6.50 [.256] MAX WIRE INS DIA

MS25036-118 CLASS 2	-	LOOSE PC	324045
MILITARY P/N AHN CLASS	QTY	PACKAGE TYPE	PART NO

AMP INCORPORATED CUSTOMER SERVICE SYSTEMS	
FOR ADDITIONAL PRODUCT INFORMATION OR COPIES OF DRAWINGS AND TECHNICAL DOCUMENTS	PRODUCT INFORMATION CENTER 1-800-522-6752
FOR APPLICATION TOOLING INFORMATION	TOOLING ASSISTANCE CENTER 1-800-722-1111
FOR ORDER ENTRY	1-800-526-5142

MAX RECOMMENDED OPERATING TEMPERATURE: 105° c
VOLTAGE RATING: -
CIRCULAR MIL AREA: 6.64-10.5mm ² [13,100-20,800] STRANDED

THIS DRAWING IS A CONTROLLED DOCUMENT.	
DIMENSIONS: MM [INCHES]	TOLERANCES UNLESS OTHERWISE SPECIFIED:
	0 PLC ± - 1 PLC ± - 2 PLC ± 0.20 [.008] 3 PLC ± - 4 PLC ± - ANGLES ± -
MATERIAL COPPER PER ASTM B-152 NYLON (MIL-M-20693) TYPE 1 COLOR: RED	FINISH TIN PLATE PER MIL-T-10727

DWN S.S. GOULDEN 6-18-93
CHK R. HERSEY 6-18-93
APVD B. BARE 6-18-93
PRODUCT SPEC -
APPLICATION SPEC -
WEIGHT -

STE TE Connectivity			
NAME TERMINAL, RING TONGUE, TERMINYL WIRE SIZE: 8 AWG			
SIZE A3	CAGE CODE 00779	DRAWING NO C-324045	RESTRICTED TO -
CUSTOMER DRAWING		SCALE NTS	SHEET 1 OF 1
		REV D1	