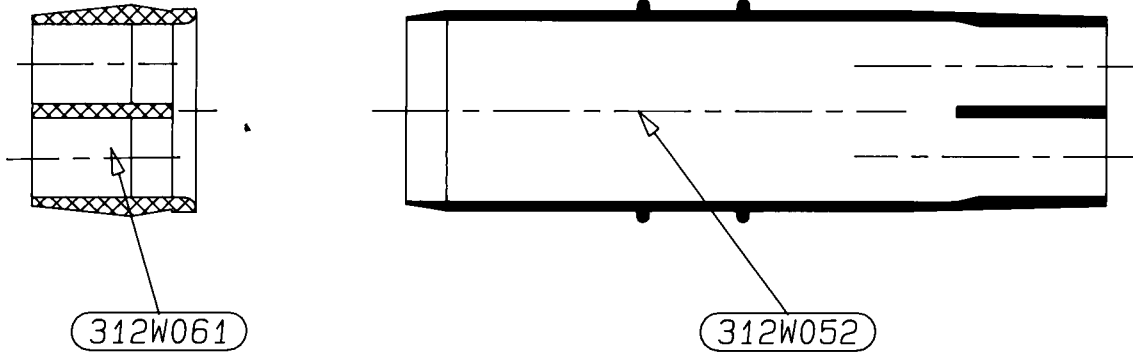
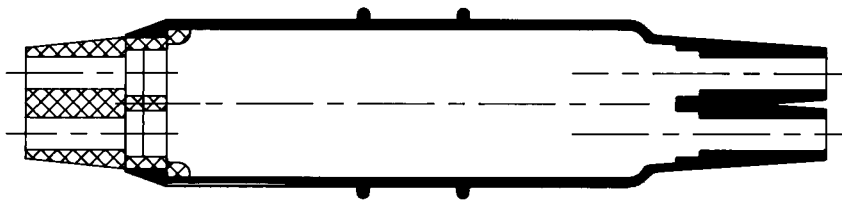


400W032

a) Part as supplied



b) Part after unrestricted recovery



SEE COMPONENT DRAWINGS FOR DIMENSIONS

Copyright (!)
Urheberrechte

The copyright in this drawing is the property of Raychem Ltd. The drawing is issued on condition that it is not copied, reproduced or disclosed to a third party, either in whole or in part without the prior written consent of Raychem Ltd.

Drawn A.LILLEY. Checked *sk* Issue 2 Date July 1994

Conforms to ISO Recommendations
3rd Angle Projection
Not to Scale

Approval
Design

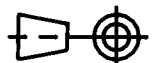
AAK Sutter

MKTG

Sulli

Q.C.

M. S. S. S.



Iss.	Date	E.C.R. No.	Details of Change
2	August 1994	H0216	312W052 WAS LABELLED 214W093

COMPATIBILITY CHART

MATERIAL DASH NUMBER	MATERIAL DESCRIPTION	COATING SLASH NUMBER
-3	POLYOLEFIN, SEMI-RIGID	/42, /86
-4	POLYOLEFIN, FLEXIBLE	/42, /86
-25	ELASTOMER, FLUID RESISTANT	/86, /225

AS SUPPLIED DIMENSIONS ARE FOR UNCOATED PARTS,
WHEN COATING IS ADDED, ENTRY DIAMETERS WILL REDUCE BY 1.5mm MAX.