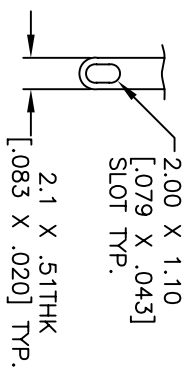
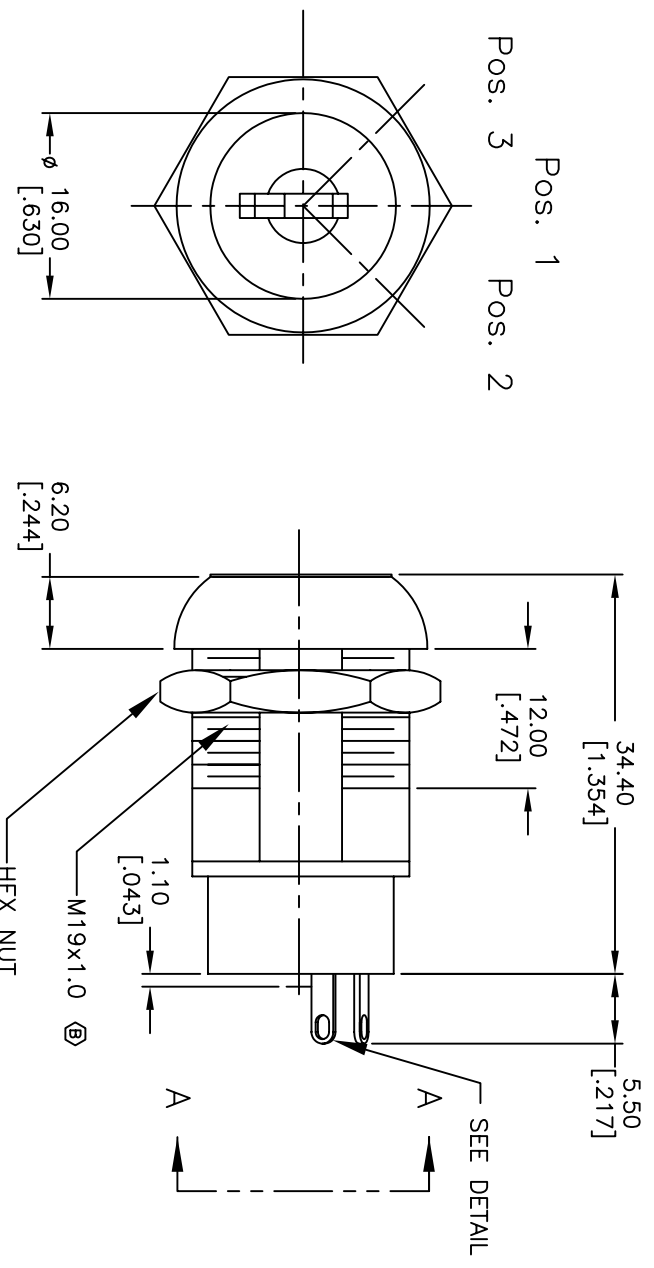


RECOMMENDED PANEL LAYOUT



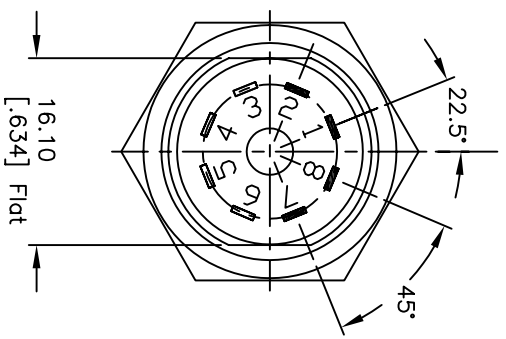
TERMINAL DETAIL
SCALE 2X



Pos. 1
Pos. 2
Pos. 3

Pos. 1 Ref.

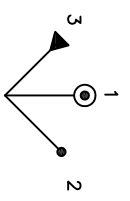
- NOTES:
1. ALL DIMENSIONS IN MM [INCH]
 2. GENERAL TOLERANCE: X.X=±0.4
X.XX=±0.25
 3. TERM. NOS. FOR REF. ONLY
 4. CONTACT RATING: 4A @125VAC/28VDC, 2A @250VAC
 5. DIELECTRIC STRENGTH: 1KV RMS min. at sea level
 6. ELECTRICAL LIFE: 10,000 make-and-break cycles at full load.
 7. MATERIALS:
CONTACTS: Silver Plated CU (Q Contact material)
TERMINALS: Silver Plated Cu (Q Contact material)
MOUNTING NUT: Nickel Plated zinc alloy
CONTACT SPRING: Piano Wire
KEYS: (QTY. 2) Brass with code no. A126
LOCK: Bright Ni plated zinc alloy with NI facing
TUMBLER Mechanism: 4-disc tumbler cylinder.



CIRCUIT: SP (45° INDEXING)
CONTACT CONFIGURATION

SWITCH FUNCTION	CONNECTED TERMINAL #
POS. 1	POS. 2
8-1	1-2
	8-7

- LEGEND
- =Detent Positions (45°)
 - ⊙ =Key pull possible in these positions
 - ▲ =MOMENTARY POS.



REV.	ECN No.	DESCRIPTION	DATE	CHKD
B	19509	CHANGED THREAD DESCRIPTION	12/08/10	BGL
A	11566	RELEASED FOR PRODUCTION	7/12/01	CJB

SCALE	DATE	DR	DWG	REV
1:1	7/12/01	CB	K200316	B



K0129L-A126

THE INFORMATION CONTAINED IN THIS DOCUMENT IS PROPRIETARY TO E-SWITCH AND IS NOT TO BE COPIED OR TRANSFERRED