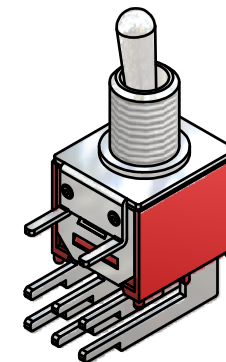
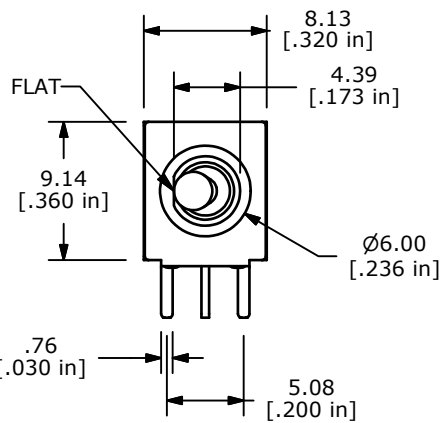
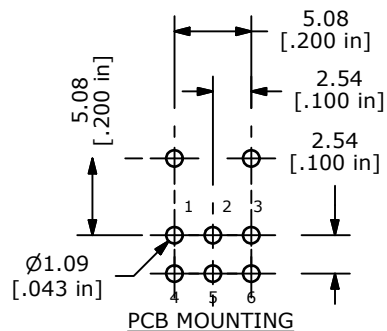
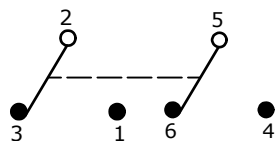


PANEL MOUNTING

SWITCH FUNCTION		
POS. 1	N / A	POS. 3
ON	NONE	ON
2-3, 5-6	N/A	2-1, 5-4



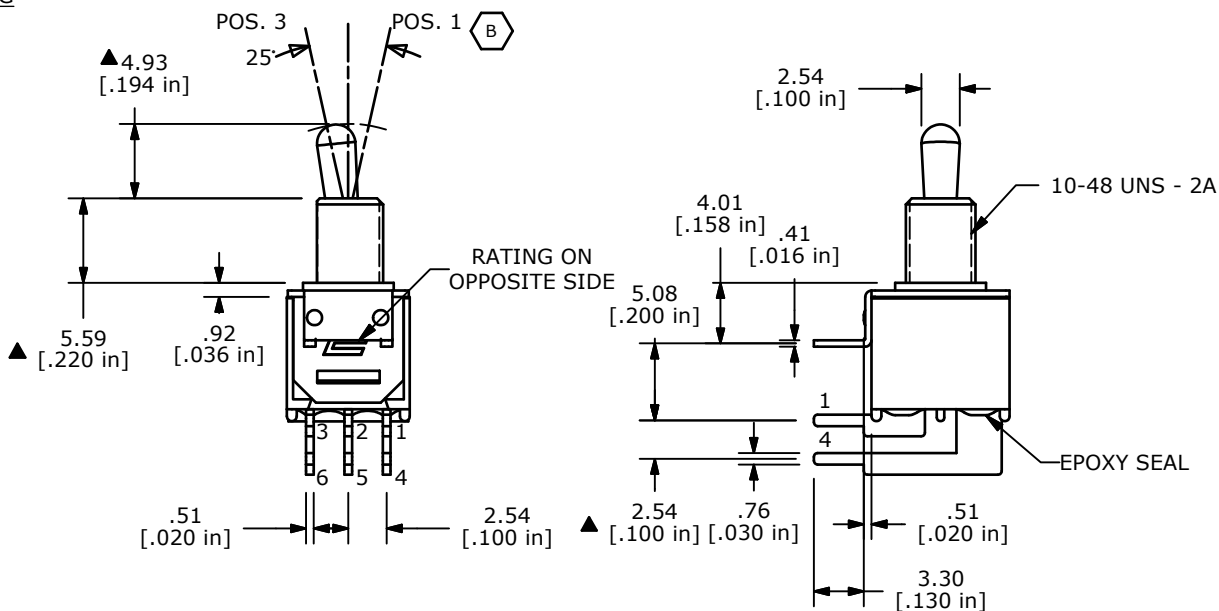
ISOMETRIC



CIRCUIT: DPDT

NOTE:

1. ALL DIMENSIONS IN MM [INCH]
2. GENERAL TOLERANCE: X.X=±0.4
X.XX=±0.25
3. TERMINAL NUMBERS FOR REF ONLY
4. PLATING MATERIAL: GOLD
- ▲ 5. RATING: 0.4VA MAX. @20V AC OR DC.
6. ELECTRIC LIFE: 30,000 MAKE-AND-BREAK CYCLES AT FULL LOAD.
7. INSULATION RESISTANCE: 1,000 MEGA-OHM MIN.
8. DIELECTRIC STRENGTH: 1,000 V RMS @SEA LEVEL.
9. OPERATING TEMP.: -30°C to 85°C
10. 2002/95/EC (ROHS) COMPLIANT
11. ▲ DENOTES CRITICAL PARAMETER.
12. HARDWARE TO BE SUPPLIED IN BULK
T200000-LOCK WASHER QTY. 1
T200002-LOCK RING QTY. 1
T200001-HEX NUT QTY. 2



B	20095	CORRECT FUNCTION CHART	08/12/11	BMA
A	20088	RELEASED FOR PRODUCTION	8/8/11	BGL
REV	PCR NO	DESCRIPTION	DATE	BY

TITLE 200MDP1T2B1M6REH				
SCALE	DATE	DR	DWG	REV
2:1	8/8/2011	BGL	ST201604	B

THE INFORMATION CONTAINED IN THIS DOCUMENT IS PROPRIETARY TO E-SWITCH AND IS NOT TO BE COPIED OR TRANSFERRED