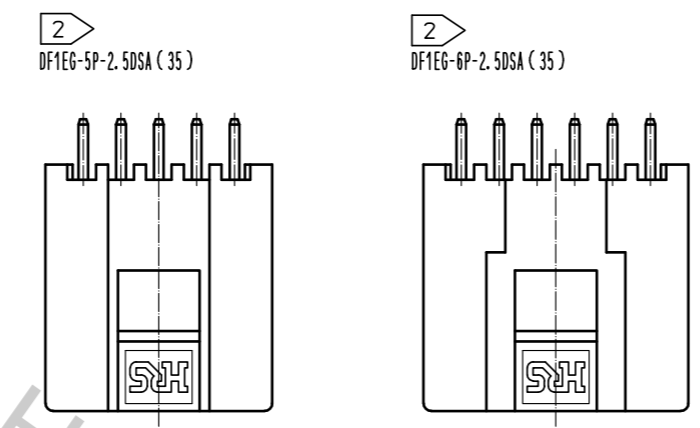
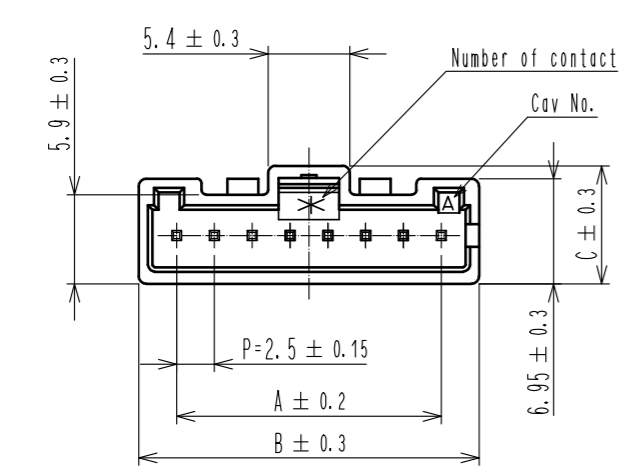


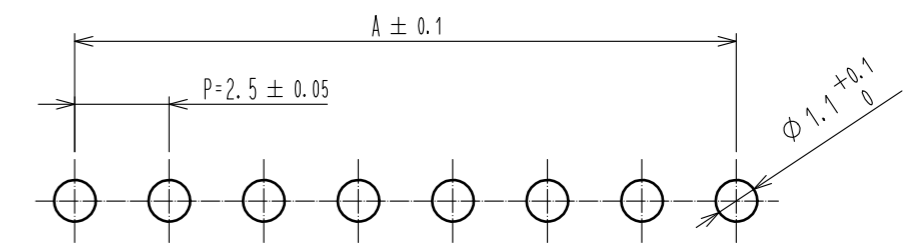
Apr.1.2017 Copyright 2017 HIROSE ELECTRIC CO., LTD. All Rights Reserved.

1 2 3 4 5 6 7 8

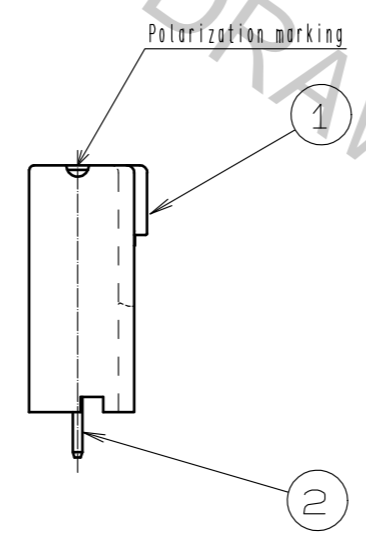
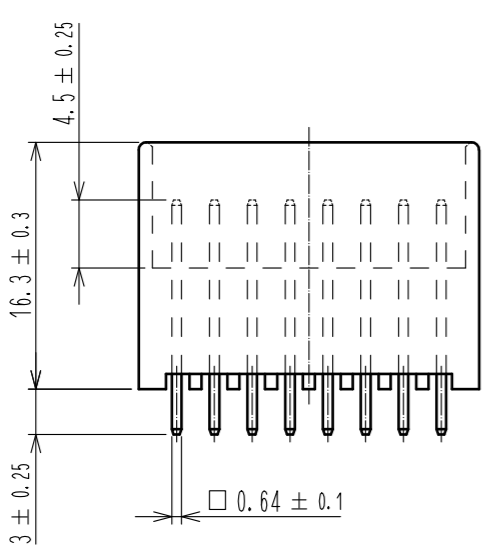
A
B
C
D
E
F



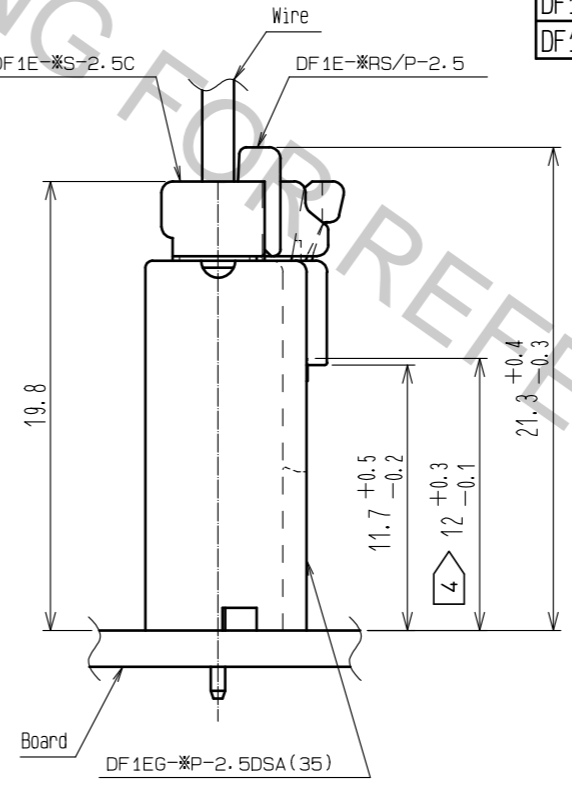
Recommended PCB layout(5:1)
(PCB thickness:1.6±0.1)



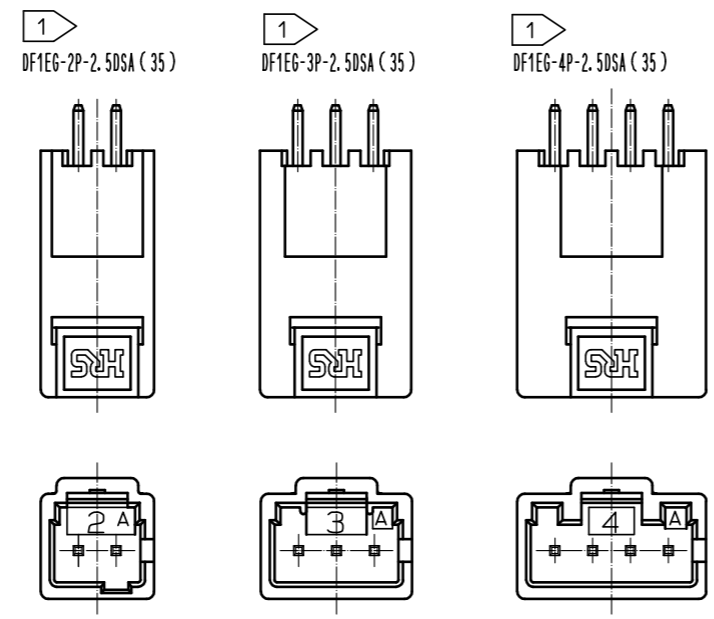
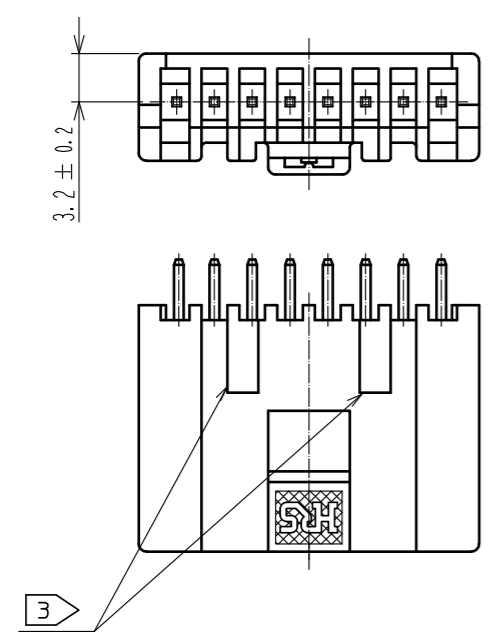
Part No.	Code No.	Number of contact	A	B	C
DF1EG- 2P-2.5DSA(35)	CL541-0923-3-35	2	2.5	7.5	8.0
DF1EG- 3P-2.5DSA(35)	CL541-0924-6-35	3	5.0	10.0	8.0
DF1EG- 4P-2.5DSA(35)	CL541-0925-9-35	4	7.5	12.5	8.0
DF1EG- 5P-2.5DSA(35)	CL541-0926-1-35	5	10.0	15.0	7.8
DF1EG- 6P-2.5DSA(35)	CL541-0927-4-35	6	12.5	17.5	7.8
DF1EG- 7P-2.5DSA(35)	CL541-0928-7-35	7	15.0	20.0	7.8
DF1EG- 8P-2.5DSA(35)	CL541-0929-0-35	8	17.5	22.5	7.8
DF1EG- 9P-2.5DSA(35)	CL541-0930-9-35	9	20.0	25.0	7.8
DF1EG-10P-2.5DSA(35)	CL541-0931-1-35	10	22.5	27.5	7.8



Application diagram(3:1)



- Notes
- Configuration of DF1EG-2P-2.5DSA(35), DF1EG-3P-2.5DSA(35) and DF1EG-4P-2.5DSA(35).
 - Configuration of DF1EG-5P-2.5DSA(35), DF1EG-6P-2.5DSA(35).
 - Configuration of DF1EG-7P-2.5DSA(35), DF1EG-8P-2.5DSA(35).
 - A connector opening sets to 10.4mm MIN. (Potting height is set to 8.5mm MAX.)
 - UL(File No. E52653)
C-UL(File No. E52653)



1	Polyamide	Natural(Beige), UL94V-0	2	Brass	Surface: Tin plated 1μm min Under plating: Nickel plated 0.5μm min			
NO.	MATERIAL	FINISH . REMARKS	NO.	MATERIAL	FINISH . REMARKS			
UNITS	mm	SCALE	2 : 1	COUNT	DESCRIPTION OF REVISIONS	DESIGNED	CHECKED	DATE
		APPROVED	: KI. AKIYAMA	15.06.16	DRAWING NO.	EDC-336779-35-00		
		CHECKED	: KI. AKIYAMA	15.06.16	PART NO.	DF1EG- *P-2.5DSA(35)		
		DESIGNED	: TS. KUMAZAWA	15.06.15	CODE NO.	CL541-		
		DRAWN	: MI. SAKIMURA	15.06.15				

FORM HC0011-5-7 1 2 3 4 5 6 7 8