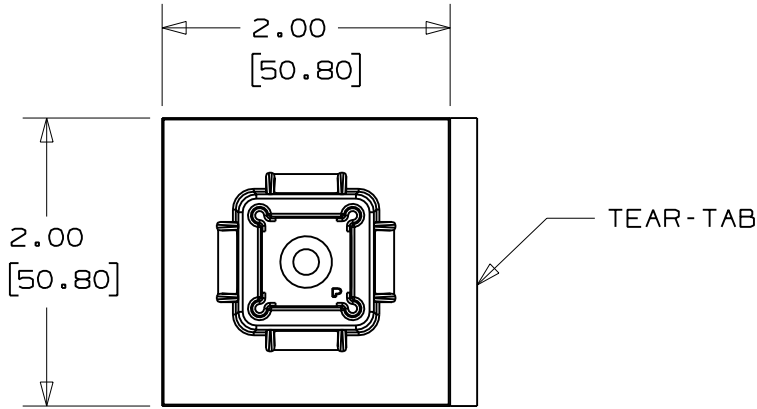


THIS COPY IS PROVIDED ON A RESTRICTED BASIS AND IS NOT TO BE USED IN ANY WAY DETRIMENTAL TO THE INTERESTS OF PANDUIT CORP.

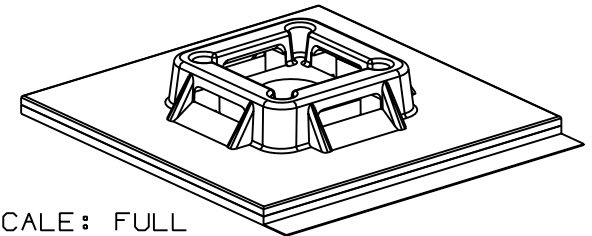
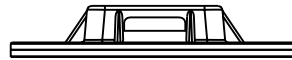
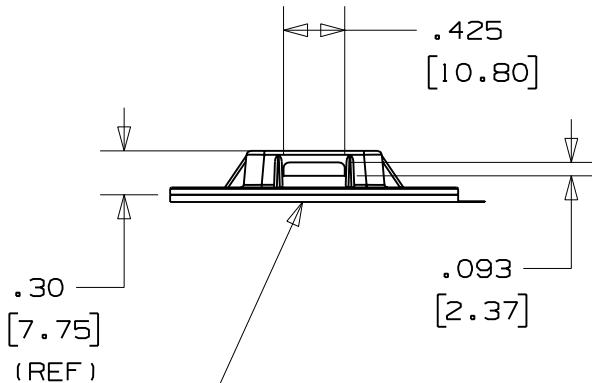
NO WARRANTY, EXPRESSED OR IMPLIED IS MADE BY PANDUIT WITH RESPECT TO ADHESIVE BOND PERFORMANCE. AMONG OTHER THINGS, THE CONDITIONS UNDER WHICH THESE MOUNTS MAY BE APPLIED AND / OR THE SURFACE TO WHICH THEY MAY BE APPLIED ARE BEYOND PANDUIT'S CONTROL.

PANDUIT PART NO.	REC'M FASTENER	USE WITH THESE CABLE TIE CROSS SECTIONS	WEIGHT LBS / 100 (g) / PCS
SGABM50-A-____ ABM50	RUBBER ADHESIVE	M, I, S, LH, H SG100M, SG150I, SG200S, SG250S, SG300S, SG370S, SG350LH, SG450H	1.2 (544.3)
SGABM50-AT-____ ABM50B	ACRYLIC ADHESIVE		



NOTES

- SEE CURRENT PRICE SHEET FOR PART NUMBER SUFFIX DESIGNATION FOR PACKAGE SIZE AND COLOR.
- HOLE FOR STANDARD #8 FLAT HEAD SCREW.
- [-A] MOUNT HAS A MAXIMUM CONTINUOUS OPERATING TEMPERATURE OF 120°F (49°C).
[-AT] MOUNT HAS A MAXIMUM CONTINUOUS OPERATING TEMPERATURE OF 180°F (82°C).



ADHESIVE BACKING:
MOUNT IS DESIGNED TO SUPPORT 2.0 lbs (907g) MAX. WEIGHT ON A CLEAN DRY SMOOTH SURFACE.
*[-A] RUBBER BASED ADHESIVE PRESSURE SENSITIVE FOAM TAPE 0.04 (1.0) THICK WITH A PROTECTIVE LINER.
*[-AT] ACRYLIC BASED ADHESIVE PRESSURE SENSITIVE FOAM TAPE 0.04 (1.0) THICK WITH A PROTECTIVE LINER.

DIMENSIONS IN BRACKETS ARE METRIC [mm]	
CAD FILENAME/LAYERS G03150FH_PB_SGABM50_01	
PANDUIT CORP. TINLEY PARK, ILLINOIS	
ADHESIVE BACKED MOUNT -SUPER GRIP COMPATIBLE (SGABM50-__-__)	
UNLESS OTHERWISE SPECIFIED, DIMENSIONAL TOLERANCES ARE: (.X) ±0.05 (1.3) (.XXX) ±0.010 (0.25) (.XX) ±0.02 (0.5) ANGLES ±5°	UNLESS OTHERWISE SPECIFIED, ALL DIMENSIONS ARE GIVEN IN INCHES, THIRD ANGLE PROJECTION.
DRAWN BY JAD	MAT'L: NYLON 6/6
DATE 6/12/06	SCALE 3/4
CHK'D	DRAWING NO. GB3150FH DWG SIZE A

REV	DATE	BY	CHK	DESCRIPTION	ECN	R	CUST	SUP
1	9/20/06	JAD		UPDATE, ADD TEAR TAB	GB3150FH	1		