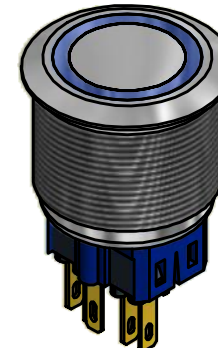
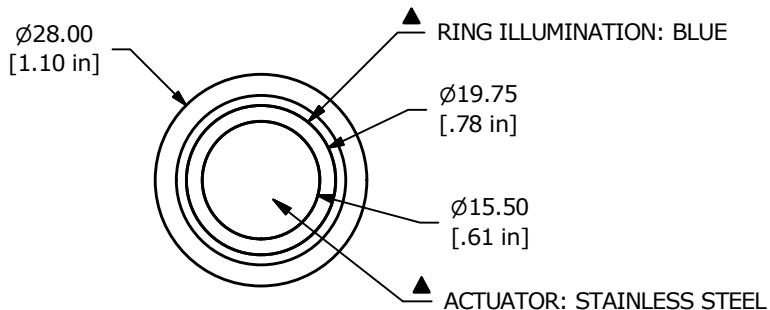
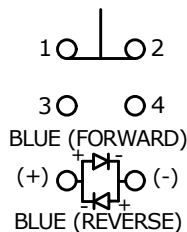


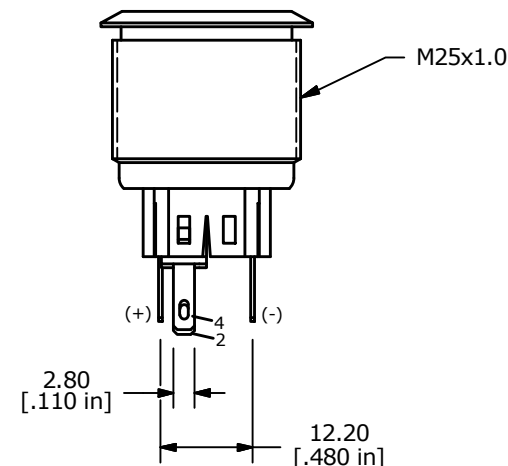
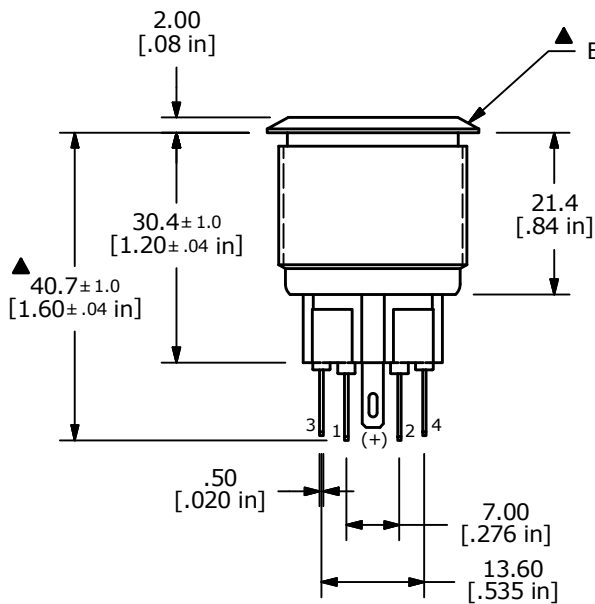
PANEL CUTOUT
MAX. PANEL THICKNESS 10mm



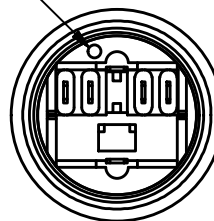
SWITCH FUNCTION	
POS. 1	POS. 2
1-2	3-4



▲ SPDT ON - OFF / OFF - ON
CONTACT CONFIGURATION



▲ DOT DENOTES LED COLOR



NOTE:

1. ALL DIMENSIONS IN MM [INCH]
2. GENERAL TOLERANCE: X.X = ± 0.4
X.XX = ± 0.25
3. TERMINAL NOS. FOR REF. ONLY
- ▲ 4. RATING: 2A @ 48VDC
5. CONTACT RESISTANCE: 50mΩ MAX. @ 1A 12VDC
6. INSULATION RESISTANCE: 1,000MΩ @ 500VDC
7. DIELECTRIC STRENGTH: 2,000VAC MIN. FOR 1 MINUTE
8. ELECTRICAL LIFE: 50,000 CYCLES
9. OPERATING TEMPERATURE: -20°C TO 70°C
10. INGRESS PROTECTION: IP65
11. SUPPLIED HARDWARE: O-RING AND HEXNUT
12. ▲ DENOTES CRITICAL PARAMETER
13. 2002/95/EC (ROHS) COMPLIANT
- ▲ 14. ILLUMINATION VOLTAGE: 24V



B	21957	UPDATE TO 21.40 HOUSING	10/15/15	MW
A	20420	RELEASE FOR PRODUCTION	1/25/12	BGL
REV	PCR NO	DESCRIPTION	DATE	BY

TITLE PV8F2T0SS-345				
SCALE 1:1	DATE 8/13/2012	DR BGL	DWG 52-PV8F2T0SS345	REV B

THE INFORMATION CONTAINED IN THIS DOCUMENT IS PROPRIETARY TO E-SWITCH AND IS NOT TO BE COPIED OR TRANSFERRED