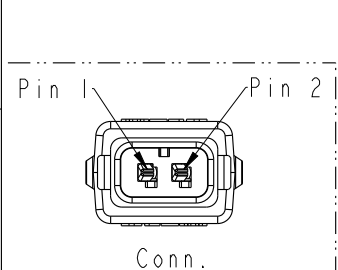
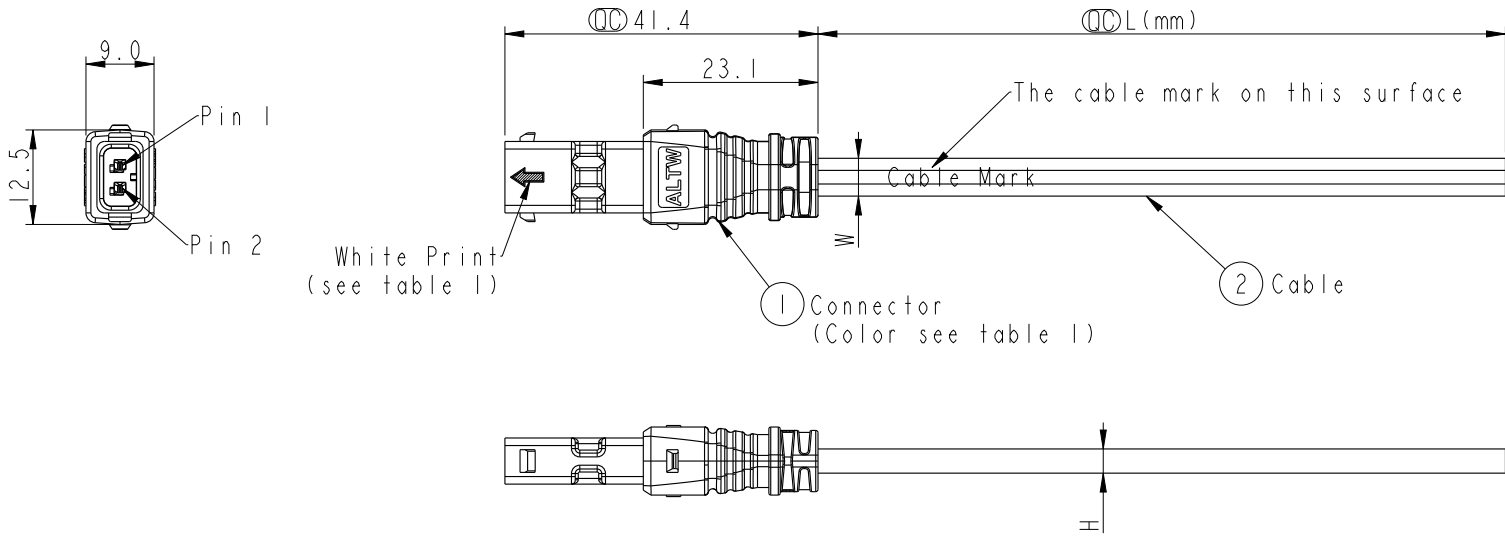


THIS DOCUMENT IS SUBJECT TO CHANGE WITHOUT NOTICE. IT IS CONFIDENTIAL AND A PROPERTY OF AMPHENOL LTW. DISCLOSURE TO THIRD PARTY HAS TO BE AUTHORIZED BY AMPHENOL LTW.

REV.	ECN NO.	DATE	SIGN	DESCRIPTION
A	Initial Release	2017-05-16	Fisher Wang	Rev. 01 to A

Table 1:

P/N.	connector	Cable	White Print
SSL12-J2LJ0-0XXFXX	White	White	Without
SSL12-J2LJ0-0XXHXX	Black	Black	With



Conn	Wire Color
2	Red 紅
1	Brown 棕
Pin Out	

SSL12-J2LJ0-0XX X XX

XX: 1M~99M
 01: 1M
 02: 2M
 :
 99: 99M

F: White
 H: Black

18: 18AWG(W=5.3,H=3.4)
 20: 20AWG(W=5.0,H=3.2)

Cable Length Tolerance:

01M: ±40mm
 02M~06M: ±60mm
 06M~10M: ±100mm
 11M~30M: ±200mm
 31M~99M: ±500mm

- Notes:
- * Ⓞ Important Dimension To Check.
 - * Current Rating:5A
 - * Voltage Rating:300V DC/AC
 - * Waterproof Rate:IP68(mating)
 1M Depth Of Water In 24 Hours.
 - * Housing: Thermoplastic, UL94V-0,
 color see table 1.
 - * Terminal:Copper Alloy, Gold Plated.
 - * Seals: Silicone, Gray.
 - * Cable:UL21996, Flat Cable, UV Resistance,
 color see table 1.
 - * Temperature Range: -40~+105℃

UNIT:mm		TITLE		ITEM NO		DRAWN BY		DATE	
±0.5		SSL1.2 2P, JACK CONN+FLAT CABLE		Amphenol LTW		Fisher Wang		2017-05-16	
		SCALE	SIZE	安費諾亮泰企業股份有限公司		DWG NO	CHECKED BY	DATE	
		Free	A4			SSL12-J2LJ0-0XXXXX	Victor Hung	2017-05-16	
		REV.	WC-REV.			CUSTOMER	APPROVED BY	DATE	
		A	A.2			ALTW	Kevin Hu	2017-05-16	
		Ⓞ: Inspection item							